



# MASTER LEDspot LV

## MASTER LED 7-50W 927 MR16 15D Dim

Delivering intense accent beam, MASTER LEDspot LV is an ideal retrofit solution for spot lighting. MASTER LEDspot LV is designed to replace halogen or incandescent spots. It realizes natural colors, enables cozy and comfortable ambience for residential, hospitality and emphasizes the beauty of merchandise in retail. New smaller housing provides perfect fitting with majority of luminaires in a market with a MR16 GU 5.3 holder. It not only employs Philips' patented solution to guarantee the broadest possible compatibility with standard 12V halogen electronic transformers, it also delivers high beam intensity which is equivalent to halogen MR16 spots. The dimming function enables to create the desired atmosphere and it works with broad selection of dimmers. Its high SDCM ensure stricter color consistency, that is maintained over product life. MASTER LEDspot LV delivers huge energy savings and minimizes maintenance cost without any compromise on light quality and lifetime, enabling residential and business owners to achieve a return on their investment within short period time.

### Product data

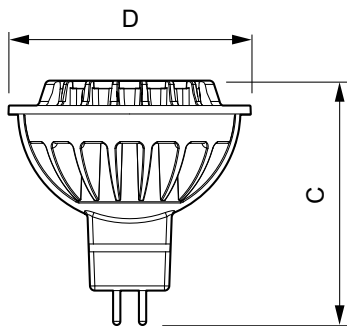
| General Information         |                 | Color Designation                     |                 |
|-----------------------------|-----------------|---------------------------------------|-----------------|
| Cap-Base                    | GU5.3 [ GU5.3]  | Color Designation                     | Warm White (WW) |
| Nominal Lifetime (Nom)      | 40000 h         | Rated Beam Angle                      | 15 °            |
| Switching Cycle             | 50000X          | Correlated Color Temperature (Nom)    | 2700 K          |
| Technical Type              | 7-50W           | Luminous Efficacy (rated) (Nom)       | 57.14 lm/W      |
|                             |                 | Color Consistency                     | <6              |
|                             |                 | Color Rendering Index (Nom)           | 90              |
|                             |                 | LLMF At End Of Nominal Lifetime (Nom) | 70 %            |
|                             |                 | Luminous Flux in 90° Cone (Rated)     | 400 lm          |
| Light Technical             |                 | Operating and Electrical              |                 |
| Color Code                  | 927             | Power (Rated) (Nom)                   | 7 W             |
| Beam Angle (Nom)            | 15 °            | Lamp Current (Nom)                    | 720 mA          |
| Light Distribution          | Narrow beam 15° | Starting Time (Nom)                   | 0.5 s           |
| Luminous Flux (Nom)         | 400 lm          |                                       |                 |
| Luminous Flux (Rated) (Nom) | 400 lm          |                                       |                 |
| Luminous Intensity (Nom)    | 2800 cd         |                                       |                 |

# MASTER LEDspot LV

|                                 |       |
|---------------------------------|-------|
| Warm Up Time to 60% Light (Nom) | 1 s   |
| Power Factor (Nom)              | 0.7   |
| Voltage (Nom)                   | 12 V  |
| <b>Temperature</b>              |       |
| T-Case Maximum (Nom)            | 92 °C |
| <b>Controls and Dimming</b>     |       |
| Dimmable                        | Yes   |
| <b>Approval and Application</b> |       |
| Energy Efficiency Label (EEL)   | A     |
| Energy Saving Product           | Yes   |
| Suitable For Accent Lighting    | Yes   |

|                                 |                                   |
|---------------------------------|-----------------------------------|
| Energy Consumption kWh/1000 h   | 8 kWh                             |
| <b>Product Data</b>             |                                   |
| Full product code               | 871869667370600                   |
| Order product name              | MASTER LED 7-50W 927 MR16 15D Dim |
| EAN/UPC - Product               | 8718696673706                     |
| Order code                      | 929001152538                      |
| Numerator - Quantity Per Pack   | 1                                 |
| Numerator - Packs per outer box | 10                                |
| Material Nr. (12NC)             | 929001152538                      |
| Net Weight (Piece)              | 0.045 kg                          |

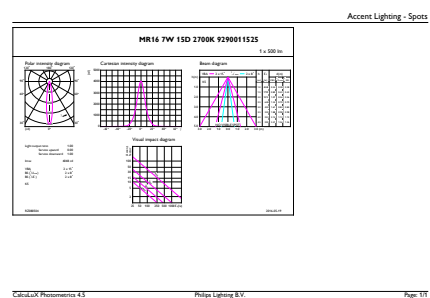
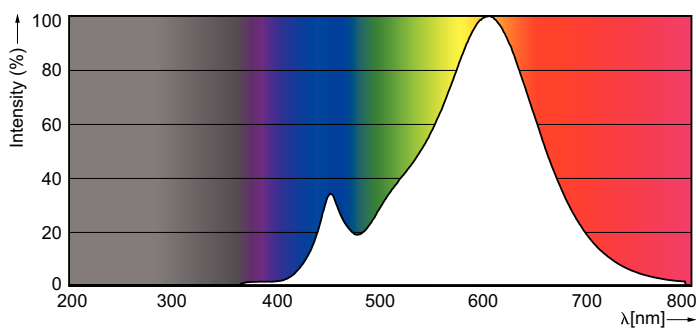
## Dimensional drawing



MR16 12V 7W-35W 380lm 15D 2700K Gu5.3 D

| Product                           | D     | C     |
|-----------------------------------|-------|-------|
| MASTER LED 7-50W 927 MR16 15D Dim | 51 mm | 51 mm |

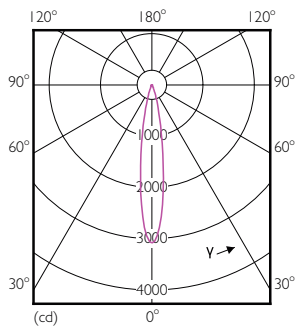
## Photometric data



LEDspot 7-35W MR16 GU5.3 2700K 500lm 15D

# MASTER LEDspot LV

## Photometric data



LEDspot Master 50W G5.3 MR16 927 15D DIM

