



# MASTER LEDspot LV

## MAS LEDspotLV D 7-35W 940 MR16 15D

Delivering a warm, halogen-like accent beam, MASTER LEDspot LV is an ideal retrofit solution for spot and general lighting applications in the hospitality industry. It is particularly suited to public areas such as receptions, lobbies, corridors, stairwells and washrooms, where the light is on all the time. The robustly designed MASTER LEDspot offers a choice of beam angles for a clearly defined beam spread. There is no UV or IR in the beam, making it suitable for illuminating heat-sensitive objects (food, organic materials, paintings, etc.). The patented intelligent driver enables broad compatibility with existing electromagnetic and electronic halogen transformers. The dimmable versions drive further efficiencies, while helping to create the desired atmosphere.

### Product data

General Information	
Cap base	GU5.3 [ GU5.3]
Nominal lifetime (nom.)	40000 h
Switching cycle	50000X
Technical type	7-35W
Light Technical	
Colour code	940 [ CCT of 4,000 K]
Beam Angle (Nom)	15 °
Light distribution	15D [ Narrow beam]
Luminous flux (nom.)	430 lm
Luminous flux (rated) (nom.)	430 lm
Luminous intensity (nom.)	3050 cd
Colour designation	Cool White (CW)
Rated beam angle	15 °
Correlated colour temperature (nom.)	4000 K
Luminous efficacy (rated) (nom.)	61.43 lm/W

Colour consistency	<6
Color rendering index (nom.)	90
LLMF at end of nominal lifetime (nom.)	70 %
Luminous Flux in 90° Cone (Rated)	430 lm
Operating and Electrical	
Power (Rated) (Nom)	7 W
Lamp current (nom.)	720 mA
Starting time (nom.)	0.5 s
Warm-up time to 60% light (nom.)	1 s
Power factor (nom.)	0.7
Voltage (Nom)	12 V
Temperature	
T-Case maximum (nom.)	92 °C

# MASTER LEDspot LV

## Controls and Dimming

Dimmable	Yes
----------	-----

## Approval and Application

Energy efficiency label (EEL)	A
Energy-saving product	Yes
Suitable for accent lighting	Yes
Energy Consumption kWh/1000 h	8 kWh

## Product Data

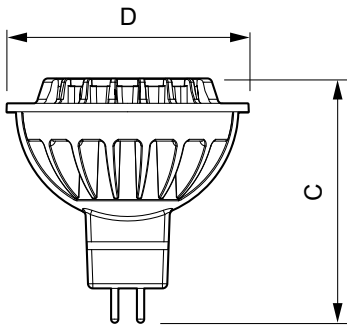
Full product code	871869665933500
-------------------	-----------------

Order product name	MAS LEDspotLV D 7-35W 940 MR16 15D
EAN/UPC – product	8718696659335
Order code	65933500
Numerator – quantity per pack	1
Numerator – packs per outer box	10
Material no. (12NC)	929001152732
Net weight (piece)	0.045 kg

## Warnings and Safety

- Operating temperature range is between -20° C and 45° C ambient
- Only to apply in dry or damp locations and most of open fixtures with lamp-holders that offer sufficient space (10 mm free air space)
- Not intended for use with emergency light fixtures or exit lights

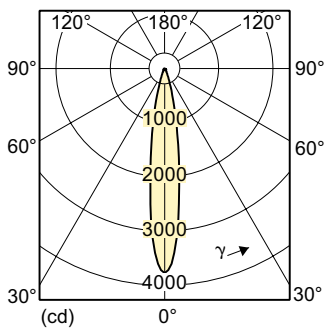
## Dimensional drawing



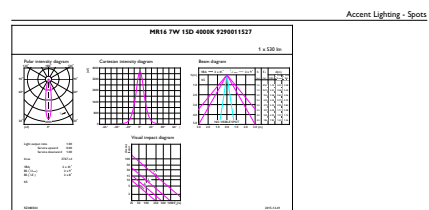
MR16 12V 7W-35W 420lm 15D 4000K Gu5.3 D

Product	D	C
MAS LEDspotLV D 7-35W 940 MR16 15D	51 mm	51 mm

## Photometric data



LEDspot 7-35W MR16 GU5.3 4000K 530lm 15D



CalcXt Photometrics 4.5

Philips Lighting B.V.

Page 1/1

LEDspot 7-35W MR16 GU5.3 4000K 530lm 15D

# MASTER LEDspot LV

## Photometric data

