



MASTER LEDspot LV

MAS LEDspotLV D 7-35W 930 MR16 24D

Delivering a warm, halogen-like accent beam, MASTER LEDspot LV is an ideal retrofit solution for spot and general lighting applications in the hospitality industry. It is particularly suited to public areas such as receptions, lobbies, corridors, stairwells and washrooms, where the light is on all the time. The robustly designed MASTER LEDspot offers a choice of beam angles for a clearly defined beam spread. There is no UV or IR in the beam, making it suitable for illuminating heat-sensitive objects (food, organic materials, paintings, etc.). The patented intelligent driver enables broad compatibility with existing electromagnetic and electronic halogen transformers. The dimmable versions drive further efficiencies, while helping to create the desired atmosphere.

Product data

General Information	
Cap base	GU5.3 [GU5.3]
Nominal lifetime (nom.)	40000 h
Switching cycle	50000X
Technical type	7-35W
Light Technical	
Colour code	930 [CCT of 3,000 K]
Beam Angle (Nom)	24 °
Light distribution	24D [Medium beam]
Luminous flux (nom.)	410 lm
Luminous flux (rated) (nom.)	410 lm
Luminous intensity (nom.)	2200 cd
Colour designation	White (WH)
Rated beam angle	24 °
Correlated colour temperature (nom.)	3000 K
Luminous efficacy (rated) (nom.)	58.57 lm/W

Colour consistency	<6
Color rendering index (nom.)	90
LLMF at end of nominal lifetime (nom.)	70 %
Luminous Flux in 90° Cone (Rated)	410 lm

Operating and Electrical	
Power (Rated) (Nom)	7 W
Lamp current (nom.)	720 mA
Starting time (nom.)	0.5 s
Warm-up time to 60% light (nom.)	1 s
Power factor (nom.)	0.7
Voltage (Nom)	12 V

Temperature	
T-Case maximum (nom.)	92 °C

MASTER LEDspot LV

Controls and Dimming

Dimmable Yes

Approval and Application

Energy efficiency label (EEL) A
 Energy-saving product Yes
 Suitable for accent lighting Yes
 Energy Consumption kWh/1000 h 8 kWh

Product Data

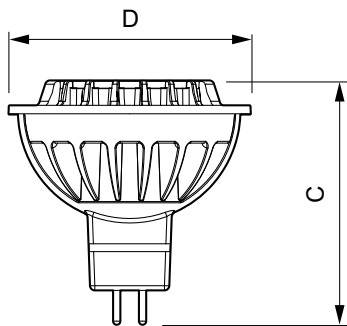
Full product code 871869665929800

Order product name	MAS LEDspotLV D 7-35W 930 MR16 24D
EAN/UPC – product	8718696659298
Order code	65929800
Numerator – quantity per pack	1
Numerator – packs per outer box	10
Material no. (12NC)	929001152932
Net weight (piece)	0.045 kg

Warnings and Safety

- Operating temperature range is between -20° C and 45° C ambient
- Only to apply in dry or damp locations and most of open fixtures with lamp-holders that offer sufficient space (10 mm free air space)
- Not intended for use with emergency light fixtures or exit lights

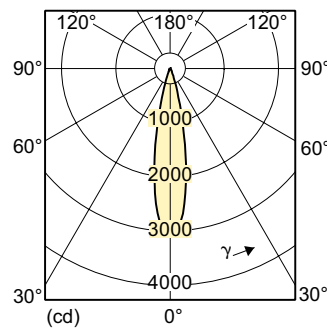
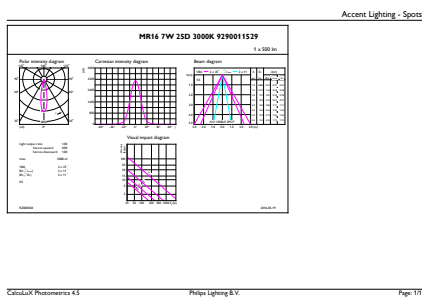
Dimensional drawing



LED D 7-35W 830 MR16 24D

Product	D	C
MAS LEDspotLV D 7-35W 930 MR16 24D	51 mm	51 mm

Photometric data



LEDspot 7-50W MR16 GU5.3 3000K 440lm 24D

MASTER LEDspot LV

Photometric data

