



# MASTER VALUE LEDs pot LV

## MASTER LED 7-50W 840 MR16 24D Dim

Delivering a warm, halogen-like accent beam, MASTER LEDspot LV is an ideal retrofit solution for spot and general lighting applications in the hospitality industry. It is particularly suited to public areas such as receptions, lobbies, corridors, stairwells and washrooms, where the light is on all the time. The robustly designed MASTER LEDspot offers a choice of beam angles for a clearly defined beam spread. There is no UV or IR in the beam, making it suitable for illuminating heat-sensitive objects (food, organic materials, paintings, etc.). The patented intelligent driver enables broad compatibility with existing electromagnetic and electronic halogen transformers. The dimmable versions drive further efficiencies, while helping to create the desired atmosphere.

### Warnings and Safety

- Operating temperature range is between -20° C and 45° C ambient
- Only to apply in dry or damp locations and most of open fixtures with lamp-holders that offer sufficient space (10 mm free air space)
- Not intended for use with emergency light fixtures or exit lights

### Product data

General Information		Beam Angle (Nom)	
Cap-Base	GU5.3 [GU5.3]		24 degree(s)
Nominal lifetime	40,000 hour(s)	Luminous Flux	460 lm
Switching Cycle	50,000	Luminous Intensity (Nom)	2,300 cd
Lighting Technology	LED	Color Designation	Cool White (CW)
EU RoHS compliant	Yes	Correlated Color Temperature (Nom)	4000 K
		Luminous Efficacy (rated) (Nom)	61.43 lm/W
		Color Consistency	<6
		Color rendering index (CRI)	90
		LLMF At End Of Nominal Lifetime (Nom)	70 %
Light Technical			
Color Code	940 [CCT of 4000K]		

# MASTER VALUE LEDspot LV

Luminous Flux in 90° Cone (Rated)	430 lm
<b>Operating and Electrical</b>	
Power Consumption	7 W
Lamp Current (Nom)	720 mA
Starting Time (Nom)	0.5 s
Warm-up time to 60% light	1 s
Power Factor (Fraction)	0.7
Voltage (Nom)	12 V
<b>Temperature</b>	
T-Case Maximum (Nom)	92 °C
<b>Controls and Dimming</b>	
Dimmable	Yes
<b>Mechanical and Housing</b>	
Bulb Shape	MR16 [2inch/50mm]

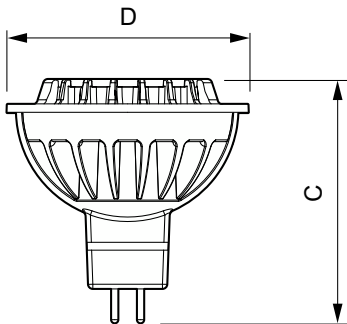
## Approval and Application

Energy Saving Product	Yes
Suitable For Accent Lighting	Yes
Energy Consumption kWh/1000 h	8 kWh

## Product Data

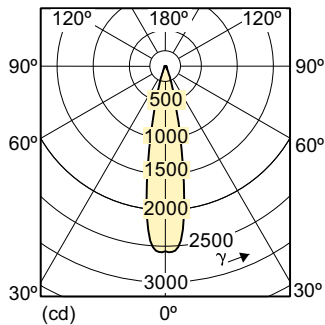
Order product name	MASTER LED 7-50W 840 MR16 24D Dim
Full product name	MASTER LED 7-50W 840 MR16 24D Dim
Full product code	871869648961100
Order code	48961100
Material Nr. (12NC)	929001153008
Numerator - Quantity Per Pack	1
EAN/UPC - Product/Case	8718696489611
Numerator - Packs per outer box	10
EAN/UPC - Case	8718696489628

## Dimensional drawing

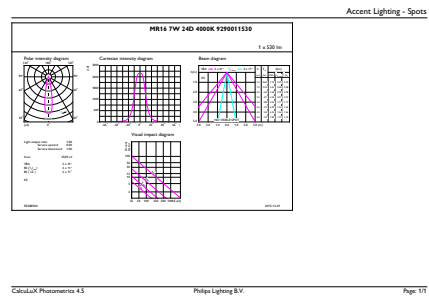


Product	D	C
MASTER LED 7-50W 840 MR16 24D Dim	51 mm	51 mm

## Photometric data



Light Distribution Diagram - MASTER LED 7-50W 840 MR16 24D Dim



General uniform lighting - MASTER LED 7-50W 840 MR16 24D Dim

# MASTER VALUE LEDspot LV

## Photometric data



Spectral Power Distribution Colour - MASTER LED 7-50W 840 MR16 24D  
Dim

