



MASTER LEDspot LV

MASTER LED 7-50W 827 MR16 36D Dim

Delivering a warm, halogen-like accent beam, MASTER LEDspot LV is an ideal retrofit solution for spot and general lighting applications in the hospitality industry. It is particularly suited to public areas such as receptions, lobbies, corridors, stairwells and washrooms, where the light is on all the time. The robustly designed MASTER LEDspot offers a choice of beam angles for a clearly defined beam spread. There is no UV or IR in the beam, making it suitable for illuminating heat-sensitive objects (food, organic materials, paintings, etc.). The patented intelligent driver enables broad compatibility with existing electromagnetic and electronic halogen transformers. The dimmable versions drive further efficiencies, while helping to create the desired atmosphere.

Product data

General Information	
Cap base	GU5.3 [GU5.3]
Nominal lifetime (nom.)	40000 h
Switching cycle	50000X
Technical type	7-50W
Light Technical	
Colour code	827 [CCT of 2,700 K]
Beam Angle (Nom)	36 °
Light distribution	36D [Medium beam]
Luminous flux (nom.)	420 lm
Luminous intensity (nom.)	1150 cd
Colour designation	Warm White (WW)
Rated beam angle	36 °
Correlated colour temperature (nom.)	2700 K
Luminous efficacy (rated) (nom.)	57.14 lm/W
Colour consistency	<6

Color rendering index (nom.)	80
LLMF at end of nominal lifetime (nom.)	70 %
Luminous Flux in 90° Cone (Rated)	400 lm
Operating and Electrical	
Power (Rated) (Nom)	7 W
Lamp current (nom.)	720 mA
Starting time (nom.)	0.5 s
Warm-up time to 60% light (nom.)	1 s
Power factor (nom.)	0.7
Voltage (Nom)	12 V
Temperature	
T-Case maximum (nom.)	92 °C

MASTER LEDspot LV

Controls and Dimming

Dimmable	Yes
----------	-----

Approval and Application

Energy efficiency label (EEL)	A
Energy-saving product	Yes
Suitable for accent lighting	Yes
Energy Consumption kWh/1000 h	8 kWh

Product Data

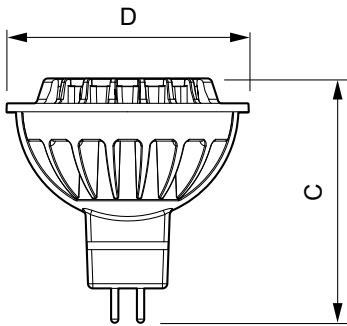
Full product code	871869648963500
-------------------	-----------------

Order product name	MASTER LED 7-50W 827 MR16 36D Dim
EAN/UPC – product	8718696489635
Order code	48963500
Numerator – quantity per pack	1
Numerator – packs per outer box	10
Material no. (12NC)	929001153108
Net weight (piece)	0.045 kg

Warnings and Safety

- Operating temperature range is between -20° C and 45° C ambient
- Only to apply in dry or damp locations and most of open fixtures with lamp-holders that offer sufficient space (10 mm free air space)
- Not intended for use with emergency light fixtures or exit lights

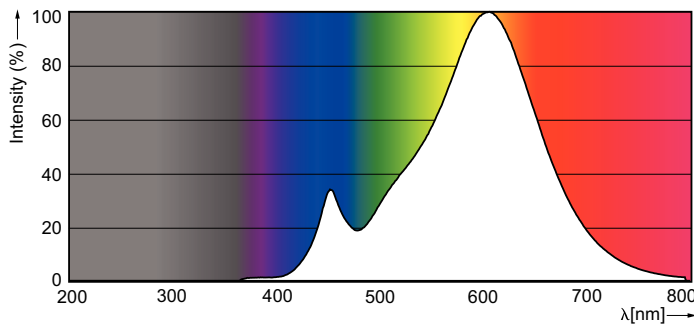
Dimensional drawing



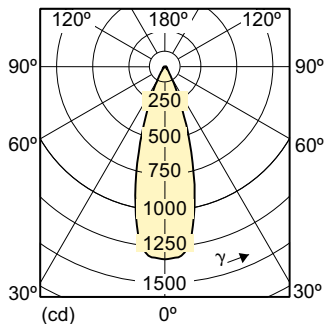
LED D 7-35W 827 MR16 36D

Product	D	C
MASTER LED 7-50W 827 MR16 36D Dim	51 mm	51 mm

Photometric data



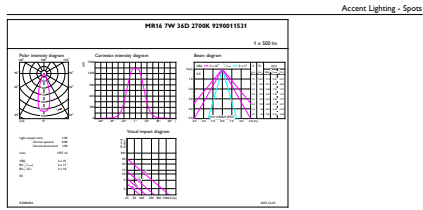
LEDspot 2700K 36D



LEDspot 7-35W MR16 GU5.3 2700K 420lm 36D

MASTER LEDspot LV

Photometric data



LEDspot 7-35W MR16 GU5.3 2700K 420lm 36D

