



MASTER LEDspot LV

MASTER LED 7-50W 927 MR16 36D Dim

Delivering intense accent beam, MASTER LEDspot LV is an ideal retrofit solution for spot lighting. MASTER LEDspot LV is designed to replace halogen or incandescent spots. It realizes natural colors, enables cozy and comfortable ambience for residential, hospitality and emphasizes the beauty of merchandise in retail. New smaller housing provides perfect fitting with majority of luminaires in a market with a MR16 GU 5.3 holder. It not only employs Philips' patented solution to guarantee the broadest possible compatibility with standard 12V halogen electronic transformers, it also delivers high beam intensity which is equivalent to halogen MR16 spots. The dimming function enables to create the desired atmosphere and it works with broad selection of dimmers. Its high SDCM ensure stricter color consistency, that is maintained over product life. MASTER LEDspot LV delivers huge energy savings and minimizes maintenance cost without any compromise on light quality and lifetime, enabling residential and business owners to achieve a return on their investment within short period time.

Product data

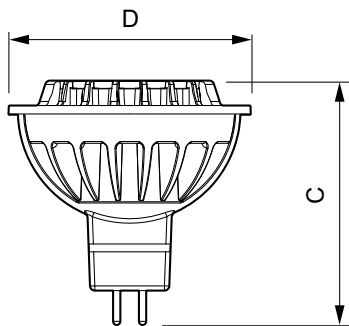
General Information		Color Designation	
Cap-Base	GU5.3 [GU5.3]	Color Designation	Warm White (WW)
Nominal Lifetime (Nom)	40000 h	Rated Beam Angle	36 °
Switching Cycle	50000X	Correlated Color Temperature (Nom)	2700 K
Technical Type	7-50W	Luminous Efficacy (rated) (Nom)	57.14 lm/W
		Color Consistency	<6
		Color Rendering Index (Nom)	90
		LLMF At End Of Nominal Lifetime (Nom)	70 %
		Luminous Flux in 90° Cone (Rated)	400 lm
Light Technical		Operating and Electrical	
Color Code	927	Power (Rated) (Nom)	7 W
Beam Angle (Nom)	36 °	Lamp Current (Nom)	720 mA
Light Distribution	Medium beam 36°	Starting Time (Nom)	0.5 s
Luminous Flux (Nom)	420 lm		
Luminous Flux (Rated) (Nom)	420 lm		
Luminous Intensity (Nom)	1150 cd		

MASTER LEDspot LV

Warm Up Time to 60% Light (Nom)	1 s
Power Factor (Nom)	0.7
Voltage (Nom)	12 V
Temperature	
T-Case Maximum (Nom)	92 °C
Controls and Dimming	
Dimmable	Yes
Approval and Application	
Energy Efficiency Label (EEL)	A
Energy Saving Product	Yes
Suitable For Accent Lighting	Yes

Energy Consumption kWh/1000 h	8 kWh
Product Data	
Full product code	871869667332400
Order product name	MASTER LED 7-50W 927 MR16 36D Dim
EAN/UPC - Product	8718696673324
Order code	929001153138
Numerator - Quantity Per Pack	1
Numerator - Packs per outer box	10
Material Nr. (12NC)	929001153138
Net Weight (Piece)	0.045 kg

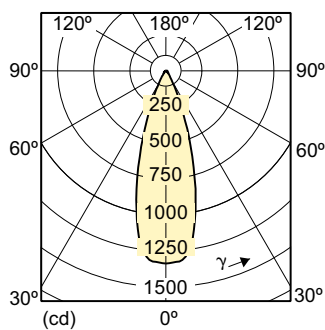
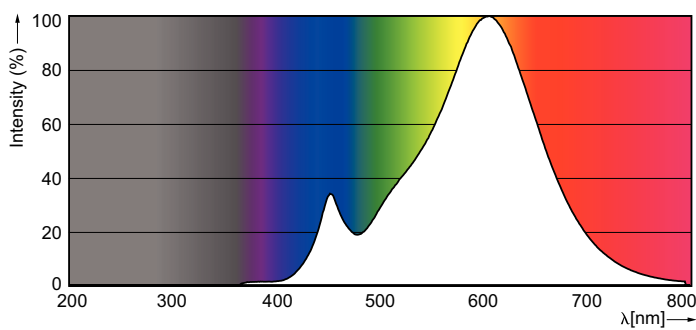
Dimensional drawing



LED D 7-35W 827 MR16 36D

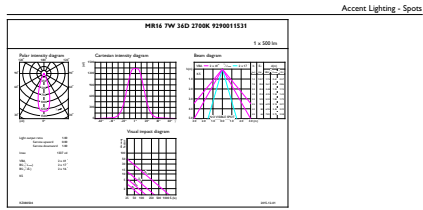
Product	D	C
MASTER LED 7-50W 927 MR16 36D Dim	51 mm	51 mm

Photometric data



MASTER LEDspot LV

Photometric data



LEDspot 7-35W MR16 GU5.3 2700K 420lm 36D

