



MASTER LEDspot LV

MASTER LED 7-50W 940 MR16 36D Dim

Delivering intense accent beam, MASTER LEDspot LV is an ideal retrofit solution for spot lighting. MASTER LEDspot LV is designed to replace halogen or incandescent spots. It realizes natural colors, enables cozy and comfortable ambience for residential, hospitality and emphasizes the beauty of merchandise in retail. New smaller housing provides perfect fitting with majority of luminaires in a market with a MR16 GU 5.3 holder. It not only employs Philips' patented solution to guarantee the broadest possible compatibility with standard 12V halogen electronic transformers, it also delivers high beam intensity which is equivalent to halogen MR16 spots. The dimming function enables to create the desired atmosphere and it works with broad selection of dimmers. Its high SDCM ensure stricter color consistency, that is maintained over product life. MASTER LEDspot LV delivers huge energy savings and minimizes maintenance cost without any compromise on light quality and lifetime, enabling residential and business owners to achieve a return on their investment within short period time.

Product data

General Information	
Cap-Base	GU5.3 [GU5.3]
Nominal Lifetime (Nom)	40000 h
Switching Cycle	50000X
Technical Type	7-50W
Light Technical	
Color Code	940 [CCT of 4000K]
Beam Angle (Nom)	36 °
Light Distribution	Medium beam 36°
Luminous Flux (Nom)	460 lm
Luminous Flux (Rated) (Nom)	460 lm
Luminous Intensity (Nom)	1250 cd

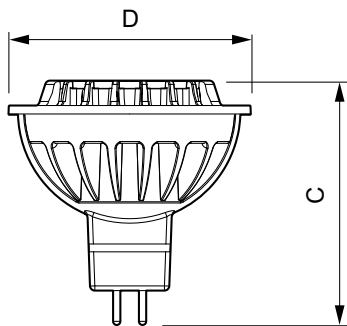
Color Designation	Cool White (CW)
Rated Beam Angle	36 °
Correlated Color Temperature (Nom)	4000 K
Luminous Efficacy (rated) (Nom)	57.14 lm/W
Color Consistency	<6
Color Rendering Index (Nom)	90
LLMF At End Of Nominal Lifetime (Nom)	70 %
Luminous Flux in 90° Cone (Rated)	425 lm
Operating and Electrical	
Power (Rated) (Nom)	7 W
Lamp Current (Nom)	720 mA
Starting Time (Nom)	0.5 s

MASTER LEDspot LV

Warm Up Time to 60% Light (Nom)	1 s
Power Factor (Nom)	0.7
Voltage (Nom)	12 V
Temperature	
T-Case Maximum (Nom)	92 °C
Controls and Dimming	
Dimmable	Yes
Approval and Application	
Energy Efficiency Label (EEL)	A
Energy Saving Product	Yes
Suitable For Accent Lighting	Yes

Energy Consumption kWh/1000 h	8 kWh
Product Data	
Full product code	871869667342300
Order product name	MASTER LED 7-50W 940 MR16 36D Dim
EAN/UPC - Product	8718696673423
Order code	929001153338
Numerator - Quantity Per Pack	1
Numerator - Packs per outer box	10
Material Nr. (12NC)	929001153338
Net Weight (Piece)	0.045 kg

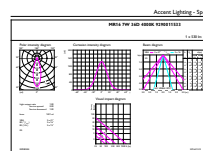
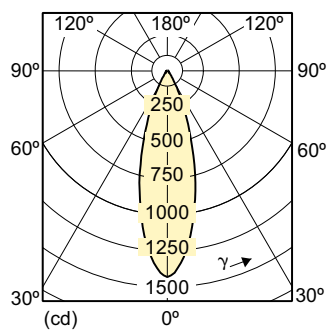
Dimensional drawing



LED D 7-35W 840 MR16 36D

Product	D	C
MASTER LED 7-50W 940 MR16 36D Dim	51 mm	51 mm

Photometric data

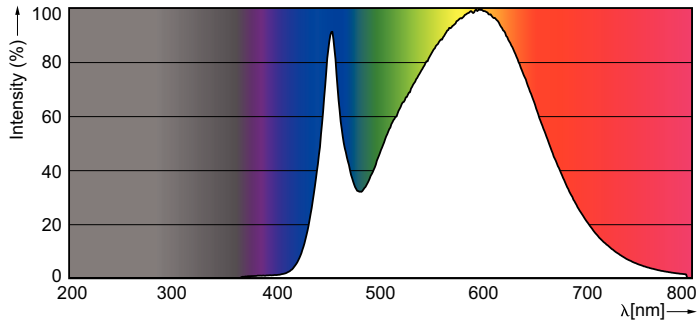


Accent Lighting - Spot
Data For this beam spread
1.1.18.18
© 2018
Page 11

LEDspot 7-35W MR16 GU5.3 4000K 460lm 36D

MASTER LEDspot LV

Photometric data



7-35 W GU5.3 /840 MR16

