



Essential LED tubes T5 Mains

MASTER LEDtube 600mm 7.5W840 G5 I

The Essential LEDtube T5 is an affordable LED solution suitable for replacing T5 fluorescent lamps. Thanks to a unique design, Philips Essential LED tube T5 Mains can be directly installed in luminaires operating on mains power connection. The product provides a natural lighting effect for use in general lighting applications, as well as instant energy savings – an environmentally friendly solution.

Product data

General Information	
Cap-Base	G5 [G5]
Main Application	Industrial
Nominal Lifetime (Nom)	40000 h
Switching Cycle	50000X
B50L70	40000 h

Light Technical	
Color Code	840 [CCT of 4000K]
Beam Angle (Nom)	160 °
Luminous Flux (Nom)	800 lm
Luminous Flux (Rated) (Nom)	800 lm
Rated Beam Angle	160 °
Correlated Color Temperature (Nom)	4000 K
Color Consistency	<6
Color Rendering Index (Nom)	83
LLMF At End Of Nominal Lifetime (Nom)	70 %

Operating and Electrical	
Input Frequency	50 to 60 Hz

Power (Rated) (Nom)	7.5 W
Lamp Current (Nom)	400 mA
Starting Time (Nom)	0.5 s
Warm Up Time to 60% Light (Nom)	0.5 s
Power Factor (Nom)	0.9
Voltage (Nom)	19 V

Temperature	
T-Ambient (Max)	45 °C
T-Ambient (Min)	-20 °C
T-Storage (Max)	65 °C
T-Storage (Min)	-40 °C
T-Case Maximum (Nom)	60 °C

Controls and Dimming	
Dimmable	No

Mechanical and Housing	
Product Length	600 mm

Essential LED tubes T5 Mains

Approval and Application

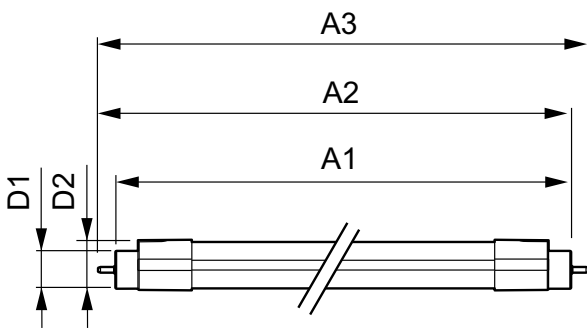
Energy Efficiency Label (EEL)	A+
Energy Saving Product	Yes
Suitable For Accent Lighting	No
Approval Marks	RoHS compliance KEMA Keur certificate CE marking
Energy Consumption kWh/1000 h	9 kWh

Product Data

Full product code	694793910974600
-------------------	-----------------

Order product name	MASTER LEDtube 600mm 7.5W840 G5 I
EAN/UPC - Product	6947939109746
Order code	929001154910
Numerator - Quantity Per Pack	1
Numerator - Packs per outer box	20
Material Nr. (12NC)	929001154910
Net Weight (Piece)	0.076 kg

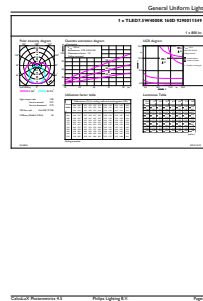
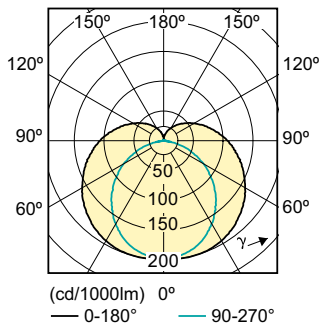
Dimensional drawing



TLED T5 19V 7.5W-14W 800lm160D 4000K G5

Product	D1	D2	A1	A2	A3
MASTER LEDtube 600mm 7.5W840 G5 I	15.8 mm	21.0 mm	548.0 mm	555.0 mm	562.0 mm

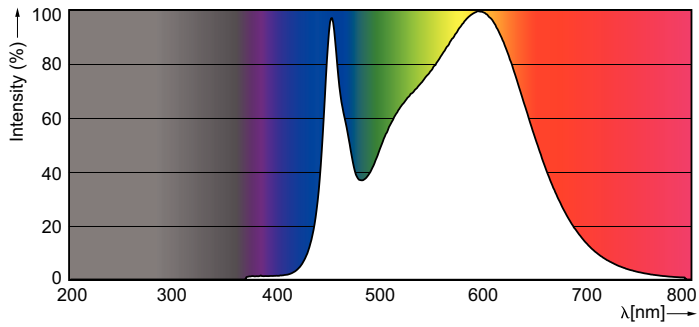
Photometric data



LED Lamps, LEDtubes, MASTER LEDtube 600mm 7.5W 4000K G5 I

Essential LED tubes T5 Mains

Photometric data



LEDtube 1200mm HO 18 W T8, 1200mm 18 W T8 I /840

