



# Essential LED tubes T5 Mains

## MASTER LEDtube 600mm 7.5W865 G5 I

The Essential LEDtube T5 is an affordable LED solution suitable for replacing T5 fluorescent lamps. Thanks to a unique design, Philips Essential LED tube T5 Mains can be directly installed in luminaires operating on mains power connection. The product provides a natural lighting effect for use in general lighting applications, as well as instant energy savings – an environmentally friendly solution.

### Product data

General Information	
Cap base	G5 [ G5]
Main application	Industrial
Nominal lifetime (nom.)	40000 h
Switching cycle	50000X
B50L70	40000 h

Light Technical	
Colour Code	865 [ CCT of 6500K]
Technical Beam Angle (Nom)	160 °
Lamp Luminous Flux 25°C EL (Nom)	800 lm
Lamp Luminous Flux (Nom)	800 lm
Rated beam angle	160 °
Colour Temperature, horizontal (Nom)	6500 K
Colour consistency	<6
Colour Rendering Index,horiz (Nom)	83
LLMF at end of nominal lifetime (nom.)	70 %

Operating and Electrical	
Input frequency	50 to 60 Hz

Power (Rated) (Nom)	
Power (Rated) (Nom)	7.5 W
Lamp current (nom.)	400 mA
Starting time (nom.)	0.5 s
Warm-up time to 60% light (nom.)	0.5 s
Power factor (nom.)	0.9
Voltage (Nom)	19 V

Temperature	
T ambient (max.)	45 °C
T ambient (min.)	-20 °C
T storage (max.)	65 °C
T storage (min.)	-40 °C
T-Case maximum (nom.)	60 °C

Controls and Dimming	
Dimmable	No

Mechanical and Housing	
Product length	600 mm

# Essential LED tubes T5 Mains

## Approval and Application

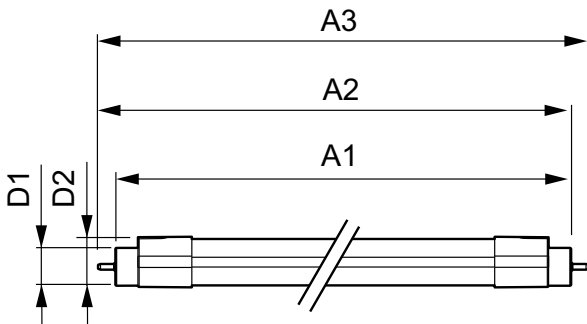
Energy-saving product	Yes
Suitable for accent lighting	No
Energy efficiency label (EEL)	A+
Approval marks	RoHS compliance KEMA Keur certificate CE marking
Energy Consumption kWh/1000 h	9 kWh

## Product Data

Full product code	694793910976000
-------------------	-----------------

Order product name	MASTER LEDtube 600mm 7.5W865 G5 I
EAN/UPC – product	6947939109760
Order code	929001155010
Numerator – quantity per pack	1
Numerator – packs per outer box	20
Material no. (12NC)	929001155010
Net weight (piece)	0.076 kg

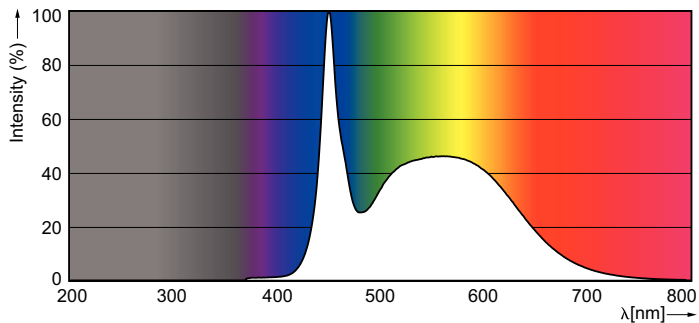
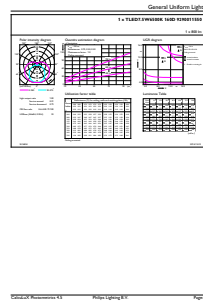
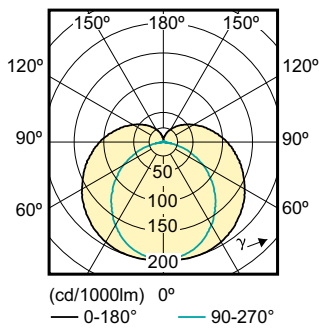
## Dimensional drawing



TLED T5 19V 7.5W-14W 800lm180D 6500K G5

Product	D1	D2	A1	A2	A3
MASTER LEDtube 600mm 7.5W865 G5 I	15.8 mm	21.0 mm	548.0 mm	555.0 mm	562.0 mm

## Photometric data



## Essential LED tubes T5 Mains

