

MASTER LEDtube EM/ Mains T8

MASTER LEDtube 1800mm 25W 840 T8 ROT

The Philips MASTER LEDtube integrates a LED light source into a traditional fluorescent form factor. Its unique design creates a perfectly uniform visual appearance which cannot be distinguished from traditional fluorescent. For those that are looking for value for money within limited budget and re-lamping efforts for better light effect and lifetime.

Product data

General Information	
Cap-Base	G13 [Medium Bi-Pin Fluorescent]
Main Application	Industrial
Nominal Lifetime (Nom)	50000 h
Switching Cycle	50000X
B50L70	50000 h

Light Technical	
Color Code	840 [CCT of 4000K]
Beam Angle (Nom)	160 °
Luminous Flux (Nom)	3700 lm
Luminous Flux (Rated) (Nom)	3700 lm
Rated Beam Angle	160 °
Correlated Color Temperature (Nom)	4000 K
Color Consistency	<6
Color Rendering Index (Nom)	83
LLMF At End Of Nominal Lifetime (Nom)	70 %

Operating and Electrical	
Input Frequency	50 to 60 Hz

Power (Rated) (Nom)	25 W
Lamp Current (Nom)	108 mA
Starting Time (Nom)	0.5 s
Warm Up Time to 60% Light (Nom)	instant full light s
Power Factor (Nom)	0.9
Voltage (Nom)	220-240 V

Temperature	
T-Ambient (Max)	30 °C
T-Ambient (Min)	-5 °C
T-Storage (Max)	65 °C
T-Storage (Min)	-40 °C
T-Case Maximum (Nom)	61 °C

Controls and Dimming	
Dimmable	No

Mechanical and Housing	
Product Length	1800 mm

MASTER LEDtube EM/Mains T8

Approval and Application

Energy Efficiency Label (EEL)	A++
Energy Saving Product	Yes
Suitable For Accent Lighting	No
Approval Marks	CE marking RoHS compliance KEMA Keur certificate
Energy Consumption kWh/1000 h	25 kWh

Product Data

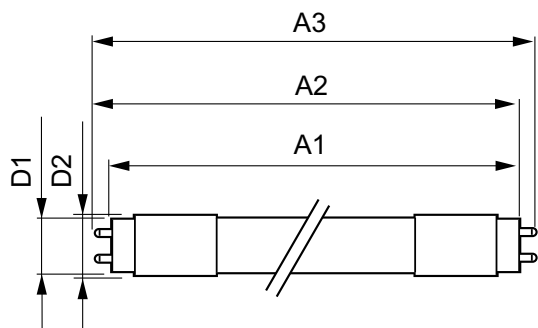
Full product code	871869648037300
-------------------	-----------------

Order product name	MASTER LEDtube 1800mm 25W 840 T8 ROT
EAN/UPC - Product	8718696480373
Order code	929001161102
Numerator - Quantity Per Pack	1
Numerator - Packs per outer box	10
Material Nr. (12NC)	929001161102
Net Weight (Piece)	0.500 kg

Warnings and Safety

- NOTES: The overall energy efficiency and light distribution of any installation that uses these lamps are determined by the design of the installation.

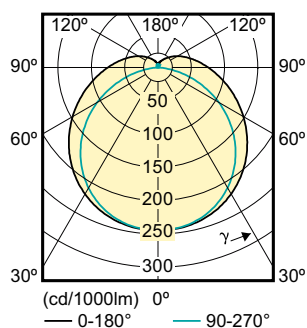
Dimensional drawing



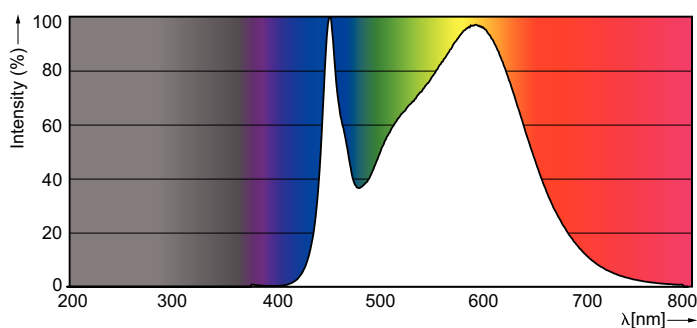
LEDtube 1800mm 25W/840 T8 ROT

Product	D1	D2	A1	A2	A3
MASTER LEDtube 1800mm 25W 840 T8 ROT	25.68 mm	28 mm	1762.5 mm	1770 mm	1776.7 mm

Photometric data



LEDtube 1200 mm UO, 1500 mm UO, 1800 mm T8 ROT



LEDtube 1800 mm 25 W /840 T8 ROT

MASTER LEDtube EM/Mains T8

