



CorePro Plastic LEDbulbs

CorePro LEDbulb ND 8-60W A60 E27 830

CorePro LEDbulbs are compatible with existing fixtures with an E27 or B22 holder and are designed for retrofit replacement of incandescent bulbs. They deliver huge energy savings and minimize maintenance cost.

Product data

General Information	
Cap-Base	E27 [E27]
Nominal lifetime	15,000 hour(s)
Switching Cycle	50,000
Lighting Technology	LED
EU RoHS compliant	Yes

Light Technical	
Color Code	830 [CCT of 3000K]
Beam Angle (Nom)	200 degree(s)
Luminous Flux	806 lm
Color Designation	White (WH)
Correlated Color Temperature (Nom)	3000 K
Luminous Efficacy (rated) (Nom)	100.75 lm/W
Color Consistency	<6
Color rendering index (CRI)	80
LLMF At End Of Nominal Lifetime (Nom)	70 %

Operating and Electrical	
Line Frequency	50 to 60 Hz
Input Frequency	50 to 60 Hz

Power Consumption	8 W
Lamp Current (Nom)	75 mA
Wattage Equivalent	60 W
Starting Time (Nom)	0.5 s
Warm-up time to 60% light	0.5 s
Power Factor (Fraction)	0.5
Voltage (Nom)	220-240 V

Temperature	
T-Case Maximum (Nom)	86 °C

Controls and Dimming	
Dimmable	No

Mechanical and Housing	
Bulb Finish	Frosted
Bulb Shape	A60 [A 60mm]

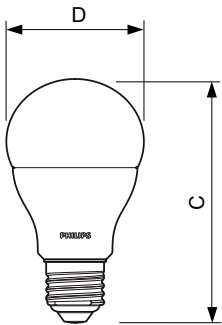
Approval and Application	
Energy Saving Product	Yes
Suitable For Accent Lighting	No

CorePro Plastic LEDbulbs

Energy Consumption kWh/1000 h	8 kWh
Product Data	
Order product name	CorePro LEDbulb ND 8-60W A60 E27 830
Full product name	CorePro LEDbulb ND 8-60W A60 E27 830
Full product code	871869657771400
Order code	57771400

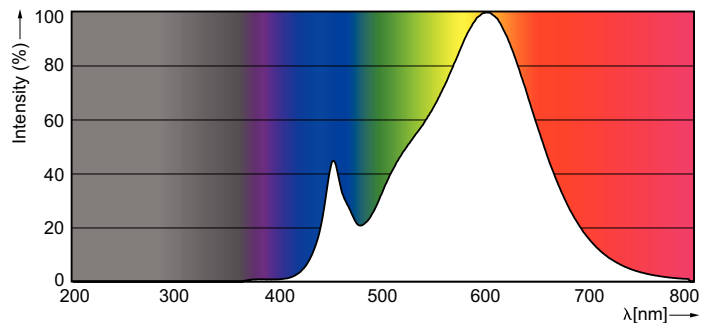
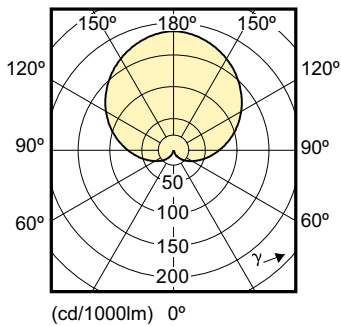
Material Nr. (12NC)	929001162232
Numerator - Quantity Per Pack	1
EAN/UPC - Product/Case	8718696577714
Numerator - Packs per outer box	10
EAN/UPC - Case	8718696577721

Dimensional drawing



Product	D	C
CorePro LEDbulb ND 8-60W A60 E27 830	60 mm	110 mm

Photometric data



Light Distribution Diagram - CorePro LEDbulb ND 8-60W A60 E27 830

Spectral Power Distribution Colour - CorePro LEDbulb ND 8-60W A60 E27 830

