



CorePro LEDbulb



CorePro LEDbulb ND 10.5-75W A60 E27 830

CorePro LEDbulbs are compatible with existing fixtures with an E27 or B22 holder and are designed for retrofit replacement of incandescent bulbs. They deliver huge energy savings and minimize maintenance cost.

Product data

General Information	
Cap base	E27 [E27]
EU RoHS compliant	Yes
Nominal lifetime (nom.)	15000 h
Switching cycle	50,000X
Technical type	10.5-75W
	Sphere
Light Technical	
Colour Code	830 [CCT of 3,000 K]
Beam Angle (Nom)	200 °
Luminous flux (nom.)	1055 lm
Colour designation	White (WH)
Correlated Colour Temperature (Nom)	3000 K
Luminous efficacy (rated) (nom.)	100.00 lm/W
Colour consistency	<6
Colour rendering index (nom.)	80
LLMF at end of nominal lifetime (nom.)	70 %
Operating and Electrical	
Input frequency	50 to 60 Hz
Power (Rated) (Nom)	10.5 W
Lamp current (nom.)	95 mA
Wattage equivalent	75 W

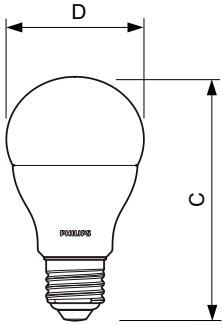
Starting time (nom.)	0.5 s
Warm-up time to 60% light (nom.)	0.5 s
Power factor (nom.)	0.5
Voltage (Nom)	220-240 V
Temperature	
T-Case maximum (nom.)	80 °C
Controls and Dimming	
Dimmable	No
Mechanical and Housing	
Lamp Finish	Frosted
Bulb shape	A60 [A 60mm]
Approval and Application	
Energy Efficiency Class	F
Energy consumption kWh/1,000 hours	11 kWh
	397619
Product Data	
Full product code	871869649752400
Order product name	CorePro LEDbulb ND 10.5-75W A60 E27 830
EAN/UPC – product	8718696497524

CorePro LEDbulb

Order code	49752400
SAP numerator – quantity per pack	1
Numerator – packs per outer box	10
SAP material	929001162332

SAP net weight (piece)	0.076 kg
------------------------	----------

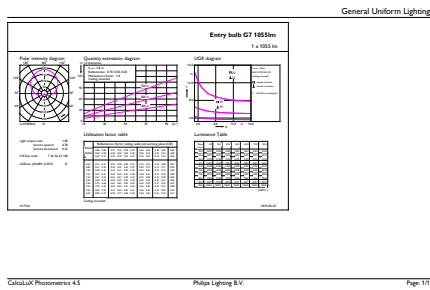
Dimensional drawing



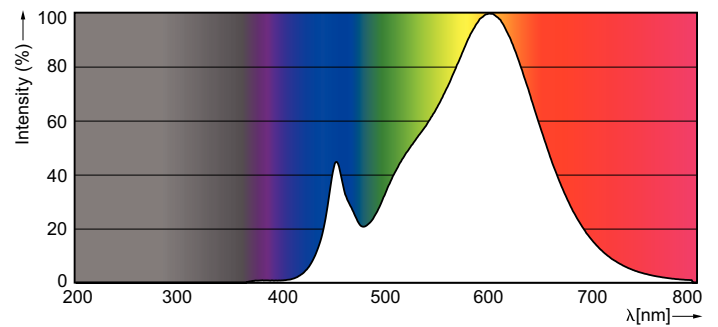
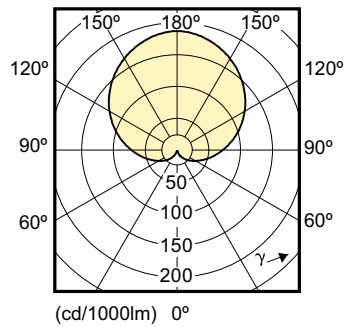
CorePro LEDbulb ND 10.5-75W A60 E27 830

Product	D	C
CorePro LEDbulb ND 10.5-75W A60 E27 830	60 mm	110 mm

Photometric data



CorePro LEDbulb 75W E27 830 FR A60 ND



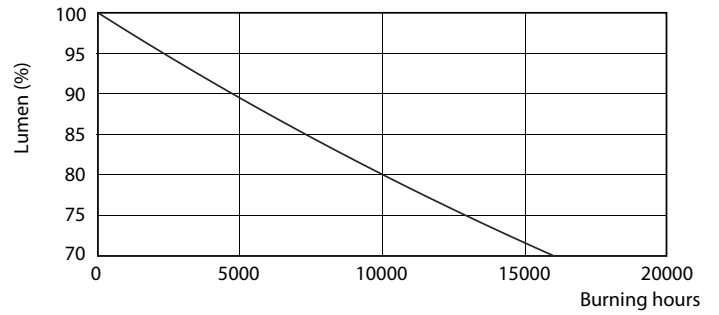
SDPO_LEDBulb_0023-Spectral Power distribution

CorePro LEDbulb

Lifetime



LEDbulb 100W E27 840 FR A60



LEDbulb 100W E27 840 FR A60

