



LEDLamps

LEDBulb 7-40W B22 3000K 230V A60 AU/PF

LED Lamps are a perfect fit for general lighting applications. Compatible with most existing fixtures and designed as a retrofit replacement for incandescent and halogen lamps, LED Lamps deliver huge energy savings and minimize maintenance cost

Product data

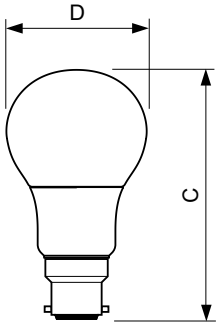
General Information	
Cap base	B22 [B22]
Nominal lifetime (nom.)	15000 h
Switching cycle	50000X
Technical type	7-40W
Light Technical	
Colour code	830 [CCT of 3,000 K]
Beam Angle (Nom)	150 °
Luminous flux (nom.)	600 lm
Luminous flux (rated) (nom.)	600 lm
Colour designation	White (WH)
Correlated colour temperature (nom.)	3000 K
Luminous efficacy (rated) (nom.)	86 lm/W
Colour consistency	<7
Color rendering index (nom.)	80
LLMF at end of nominal lifetime (nom.)	70 %
Operating and Electrical	
Input frequency	50 to 60 Hz
Power (Rated) (Nom)	7 W
Lamp current (nom.)	65 mA
Starting time (nom.)	0.5 s

Warm-up time to 60% light (nom.)	0.5 s
Power factor (nom.)	0.5
Voltage (Nom)	220-240 V
Temperature	
T-Case maximum (nom.)	80 °C
Controls and Dimming	
Dimmable	No
Approval and Application	
Energy efficiency label (EEL)	A+
Energy-saving product	Yes
Suitable for accent lighting	No
Energy Consumption kWh/1000 h	7 kWh
Product Data	
Full product code	871869655947500
Order product name	LEDBulb 7-40W B22 3000K 230V A60 AU/PF
EAN/UPC – product	8718696482100
Order code	55947500
Numerator – quantity per pack	1
Numerator – packs per outer box	6

LEDLamps

Material no. (12NC)	929001163149
Net weight (piece)	0.076 kg

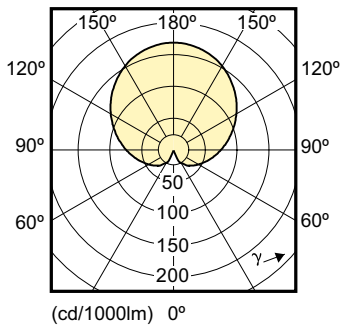
Dimensional drawing



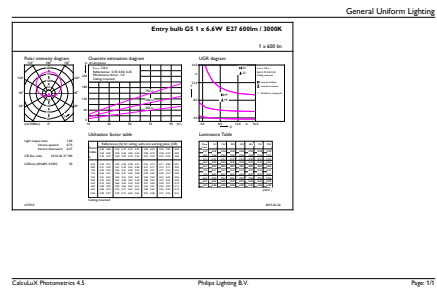
Basic Bulb A60 7W-48W 600lm 3000K B22 ND

Product	D	C
LEDBulb 7-40W B22 3000K 230V A60 AU/PF	60 mm	108 mm

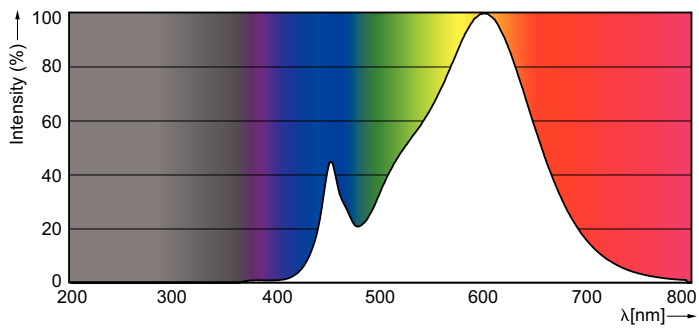
Photometric data



LED Lamps, LEDBulb 7-40W A60 3000K 600lm



LED Lamps, LEDBulb 7-40W A60 3000K 600lm



LEDLamps

