



LEDLamps

LEDBulb 9.5-60W B22 3000K 230V A60 AU/PF

LED Lamps are a perfect fit for general lighting applications. Compatible with most existing fixtures and designed as a retrofit replacement for incandescent and halogen lamps, LED Lamps deliver huge energy savings and minimize maintenance cost

Product data

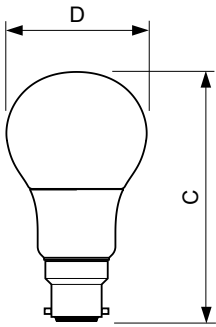
General Information	
Cap base	B22 [B22]
Nominal lifetime (nom.)	15000 h
Switching cycle	50000X
Technical type	9,5-60W
Light Technical	
Colour code	830 [CCT of 3,000 K]
Beam Angle (Nom)	150 °
Luminous flux (nom.)	806 lm
Luminous flux (rated) (nom.)	806 lm
Colour designation	White (WH)
Correlated colour temperature (nom.)	3000 K
Luminous efficacy (rated) (nom.)	85 lm/W
Colour consistency	<7
Color rendering index (nom.)	80
LLMF at end of nominal lifetime (nom.)	70 %
Operating and Electrical	
Input frequency	50 to 60 Hz
Power (Rated) (Nom)	9.5 W
Lamp current (nom.)	75 mA
Wattage equivalent	60 W

Starting time (nom.)	0.5 s
Warm-up time to 60% light (nom.)	0.5 s
Power factor (nom.)	0.5
Voltage (Nom)	220-240 V
Temperature	
T-Case maximum (nom.)	80 °C
Controls and Dimming	
Dimmable	No
Approval and Application	
Energy efficiency label (EEL)	A+
Energy-saving product	Yes
Suitable for accent lighting	No
Energy Consumption kWh/1000 h	10 kWh
Product Data	
Full product code	871869655949900
Order product name	LEDBulb 9.5-60W B22 3000K 230V A60 AU/PF
EAN/UPC – product	8718696482124
Order code	55949900
Numerator – quantity per pack	1

LEDLamps

Numerator – packs per outer box	6
Material no. (12NC)	929001163249
Net weight (piece)	0.076 kg

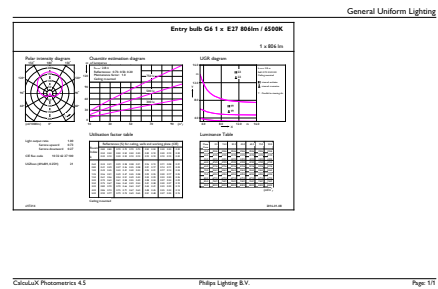
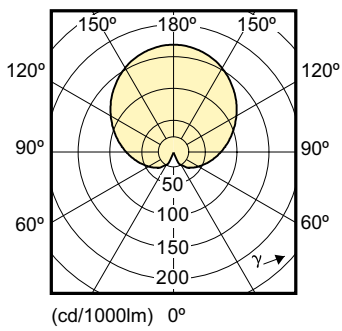
Dimensional drawing



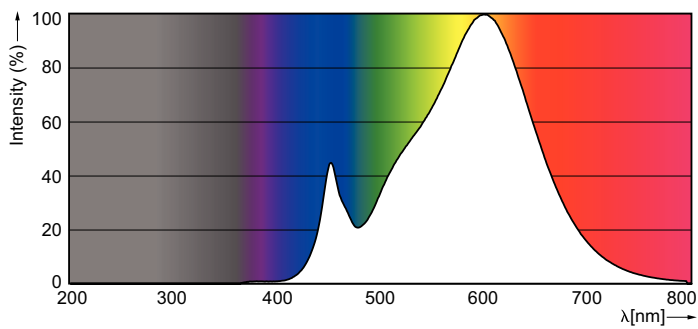
Basic Bulb A60 9W-60W 806lm 3000K B22 ND

Product	D	C
LEDBulb 9.5-60W B22 3000K 230V A60 AU/PF	60 mm	108 mm

Photometric data



LED Lamps, LEDBulb 9.5-60W A60 3000K 806lm



LEDLamps

