



Standard LED bulbs

LEDBulb 9-70W E27 865 220-240V 2BL/4

Standard LED bulbs are compatible with existing fixtures with a E27 holder and are designed for retrofit replacement of incandescent, halogen and energy saving bulbs. They deliver huge energy savings and minimize maintenance costs. The Standard LED bulb is the perfect bulb for your basic lighting needs. It provides the beautiful light and performance you expect from the LED technology at an affordable price.

Product data

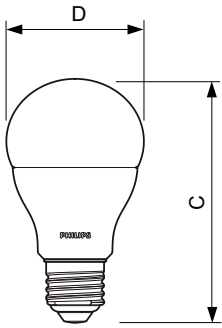
General Information		Lamp Current (Nom)	
Cap-Base	E27 [E27]		75 mA
Nominal lifetime	15,000 hour(s)	Wattage Equivalent	70 W
Switching Cycle	50,000	Starting Time (Nom)	0.5 s
Lighting Technology	LED	Warm-up time to 60% light	0.5 s
EU RoHS compliant	Yes	Power Factor (Fraction)	0.5
		Voltage (Nom)	220-240 V
Light Technical		Temperature	
Color Code	865 [CCT of 6500K]	T-Case Maximum (Nom)	70 °C
Beam Angle (Nom)	150 degree(s)		
Luminous Flux	806 lm	Controls and Dimming	
Color Designation	Cool Daylight	Dimmable	No
Correlated Color Temperature (Nom)	6500 K		
Luminous Efficacy (rated) (Nom)	89.00 lm/W	Mechanical and Housing	
Color Consistency	<6	Bulb Finish	Frosted
Color rendering index (CRI)	80	Bulb Shape	A60 [A 60mm]
LLMF At End Of Nominal Lifetime (Nom)	70 %		
Operating and Electrical		Approval and Application	
Line Frequency	50 to 60 Hz	Energy Consumption kWh/1000 h	9 kWh
Input Frequency	50 to 60 Hz		
Power Consumption	9 W	Product Data	
		Order product name	LEDBulb 9-70W E27 865 220-240V 2BL/4

Standard LED bulbs

Full product name	LEDBulb 9-70W E27 865 220-240V 2BL/4
Full product code	871869654576800
Order code	929001163741
Material Nr. (12NC)	929001163741
Numerator - Quantity Per Pack	1

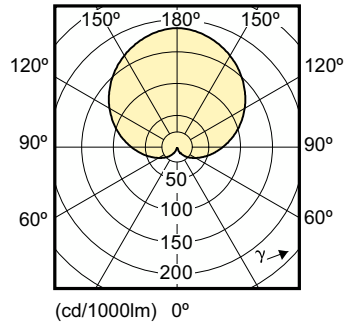
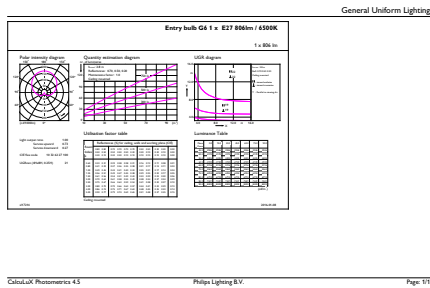
EAN/UPC - Product/Case	8718696545768
Numerator - Packs per outer box	4
EAN/UPC - Case	8718696545775

Dimensional drawing



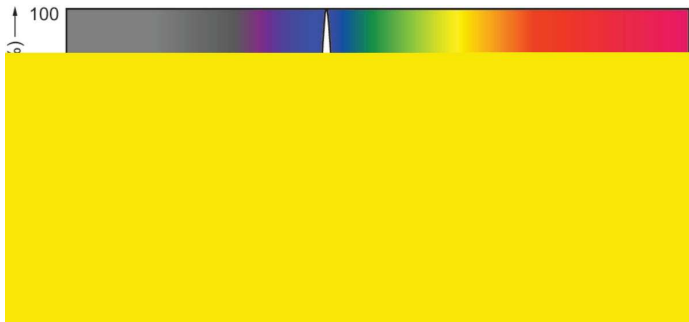
Product	D	C
LEDBulb 9-70W E27 865 220-240V 2BL/4	60 mm	110 mm

Photometric data



General uniform lighting - LEDBulb 9-70W E27 865 220-240V 2BL/4

Light Distribution Diagram - LEDBulb 9-70W E27 865 220-240V 2BL/4



Spectral Power Distribution Colour - LEDBulb 9-70W E27 865 220-240V 2BL/4

Standard LED bulbs

