



Standard LED bulbs

Standard LEDBulb 9-70W E27 6500K 220-240V 1BC

Standard LED bulbs are compatible with existing fixtures with a E27 holder and are designed for retrofit replacement of incandescent, halogen and energy saving bulbs. They deliver huge energy savings and minimize maintenance costs. The Standard LED bulb is the perfect bulb for your basic lighting needs. It provides the beautiful light and performance you expect from the LED technology at an affordable price.

Product data

General Information	
Cap-Base	E27 [E27]
Nominal lifetime	15,000 hour(s)
Switching Cycle	50,000
Lighting Technology	LED
EU RoHS compliant	Yes

Light Technical	
Color Code	865 [CCT of 6500K]
Beam Angle (Nom)	150 degree(s)
Luminous Flux	806 lm
Color Designation	Cool Daylight
Correlated Color Temperature (Nom)	6500 K
Luminous Efficacy (rated) (Nom)	89.00 lm/W
Color Consistency	<6
Color rendering index (CRI)	80
LLMF At End Of Nominal Lifetime (Nom)	70 %

Operating and Electrical	
Line Frequency	50 to 60 Hz
Input Frequency	50 to 60 Hz

Power Consumption	9 W
Lamp Current (Nom)	75 mA
Wattage Equivalent	70 W
Starting Time (Nom)	0.5 s
Warm-up time to 60% light	0.5 s
Power Factor (Fraction)	0.5
Voltage (Nom)	220-240 V

Temperature	
T-Case Maximum (Nom)	70 °C

Controls and Dimming	
Dimmable	No

Mechanical and Housing	
Bulb Finish	Frosted
Bulb Shape	A60 [A 60mm]

Approval and Application	
Energy Consumption kWh/1000 h	9 kWh

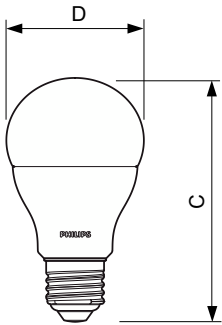
Standard LED bulbs

Product Data

Order product name	LEDBulb 9-70W E27 865 220-240V 1BL/4
Full product name	Standard LEDBulb 9-70W E27 6500K 220-240V 1BC
Full product code	871869654568300
Order code	54568300
Material Nr. (12NC)	929001163771

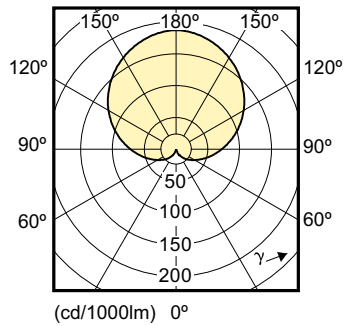
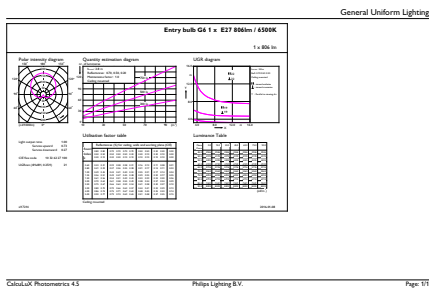
Numerator - Quantity Per Pack	1
EAN/UPC - Product/Case	8718696545683
Numerator - Packs per outer box	4
EAN/UPC - Case	8718696545690

Dimensional drawing



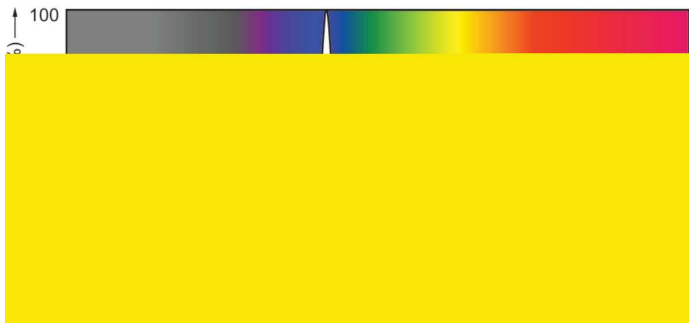
Product	D	C
LEDBulb 9-70W E27 865 220-240V 1BL/4	60 mm	110 mm

Photometric data



General uniform lighting - LEDBulb 9-70W E27 865 220-240V 1BL/4

Light Distribution Diagram - LEDBulb 9-70W E27 865 220-240V 1BL/4



Spectral Power Distribution Colour - LEDBulb 9-70W E27 865 220-240V 1BL/4

Standard LED bulbs

