



CorePro LEDbulb

CorePro LEDbulb ND 10-75W A60 E27 865

CorePro LEDbulbs are compatible with existing fixtures with an E27 or B22 holder and are designed for retrofit replacement of incandescent bulbs. They deliver huge energy savings and minimize maintenance cost.

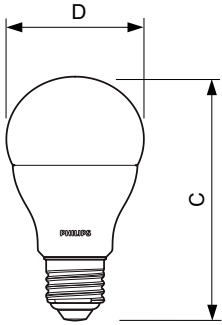
Product data

General Information		Temperature	
Cap base	E27 [E27]	Warm-up time to 60% light (nom.)	0.5 s
EU RoHS compliant	Yes	Power factor (nom.)	0.5
Nominal lifetime (nom.)	15000 h	Voltage (Nom)	220-240 V
Switching cycle	50,000X	Temperature	
Technical type	10-75W	T-Case maximum (nom.)	80 °C
Light Technical		Controls and Dimming	
Colour Code	865 [CCT of 6,500 K]	Dimmable	No
Beam Angle (Nom)	200 °	Mechanical and Housing	
Luminous flux (nom.)	1055 lm	Lamp Finish	Frosted
Colour designation	Cool Daylight	Approval and Application	
Correlated Colour Temperature (Nom)	6500 K	Energy efficiency label (EEL)	A+
Luminous efficacy (rated) (nom.)	105.00 lm/W	Energy consumption kWh/1,000 hours	10 kWh
Colour consistency	<6	Product Data	
Colour rendering index (nom.)	80	Full product code	871869649758600
LLMF at end of nominal lifetime (nom.)	70 %	Order product name	CorePro LEDbulb ND 10-75W A60 E27 865
Operating and Electrical		EAN/UPC – product	8718696497586
Input frequency	50 to 60 Hz	Order code	49758600
Power (Rated) (Nom)	10 W	SAP numerator – quantity per pack	1
Lamp current (nom.)	95 mA	Numerator – packs per outer box	10
Wattage equivalent	75 W		
Starting time (nom.)	0.5 s		

CorePro LEDbulb

SAP material	929001163832
SAP net weight (piece)	0.076 kg

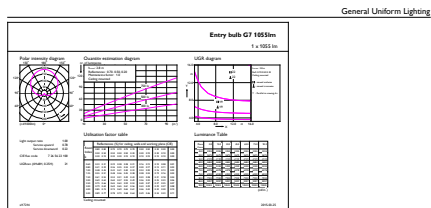
Dimensional drawing



LED 10.5-75W E27 865

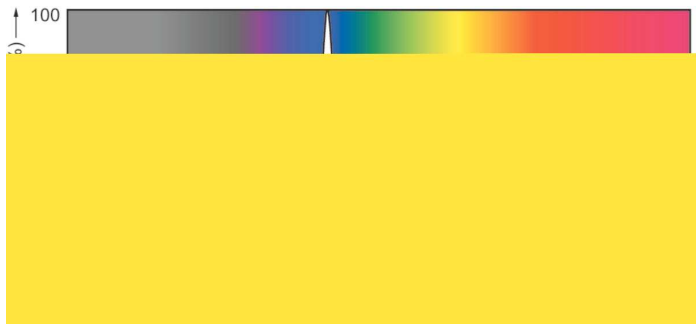
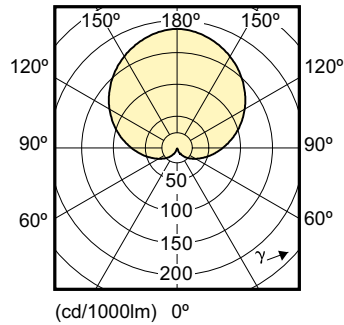
Product	D	C
CorePro LEDbulb ND 10-75W A60 E27 865	60 mm	110 mm

Photometric data



CalcULX Photometrics 4.5 Philips Lighting B.V. Page: 1/1

CorePro LEDbulb 75W E27 865 FR A60 ND

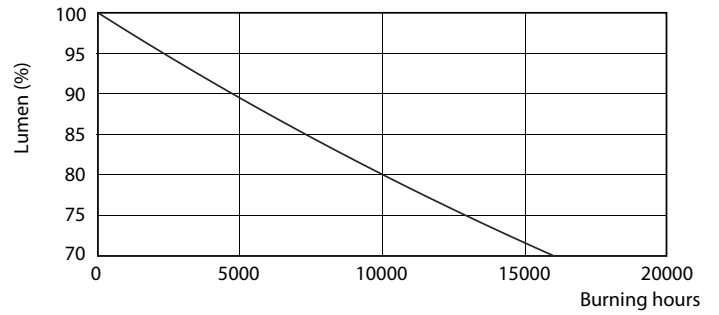


CorePro LEDbulb

Lifetime



LEDbulb 100W E27 840 FR A60



LEDbulb 100W E27 840 FR A60

