



MASTER LEDspot LV AR111

MAS LEDspotLV D 11-50W 927 AR111 24D

Delivering a warm, halogen-like accent beam, MASTER LEDspot LV AR111 is an ideal retrofit solution for spot and general lighting applications in the hospitality and retail industry. It is particularly suitable for general lighting where the light is on all the time, such as creative accent lighting applications in shops, restaurants, hotels, and especially for galleries, exhibitions and museums. The robustly designed MASTER LEDspot LV AR111 offers various beam angles for a clearly defined beam spread. There is no UV or IR in the beam, making it suitable for illuminating heat-sensitive objects (food, organic materials, paintings, etc.). The patented intelligent driver enables broad compatibility with existing electromagnetic and electronic halogen transformers. MASTER LEDspot LV AR111 delivers huge energy savings and minimises maintenance cost without any reduction in brightness.

Product data

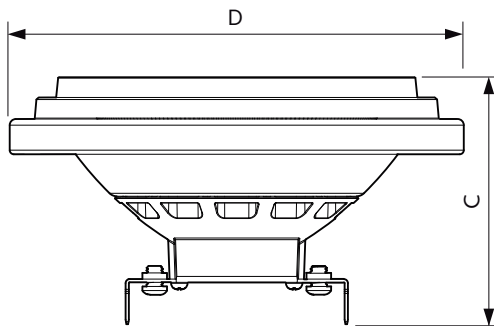
General Information		Operating and Electrical	
Cap base	G53 [G53]	Rated beam angle	24 °
Nominal lifetime (nom.)	40000 h	Correlated colour temperature (nom.)	2700 K
Switching cycle	50000X	Luminous efficacy (rated) (nom.)	50.91 lm/W
Technical type	11-50W	Colour consistency	<3
		Color rendering index (nom.)	90
		LLMF at end of nominal lifetime (nom.)	70 %
		Luminous Flux in 90° Cone (Rated)	560 lm
Light Technical			
Colour code	927	Power (Rated) (Nom)	11 W
Beam Angle (Nom)	24 °	Lamp current (nom.)	1300 mA
Light distribution	24D [Medium beam]	Wattage equivalent	50 W
Luminous flux (nom.)	560 lm	Starting time (nom.)	0.5 s
Luminous flux (rated) (nom.)	560 lm	Warm-up time to 60% light (nom.)	0.5 s
Luminous intensity (nom.)	2900 cd		
Colour designation	Warm white (WW)		

MASTER LEDspot LV AR111

Power factor (nom.)	0.7
Voltage (Nom)	12 V
Temperature	
T-Case maximum (nom.)	70 °C
Controls and Dimming	
Dimmable	yes
Approval and Application	
Energy efficiency label (EEL)	A
Suitable for accent lighting	Yes
Energy Consumption kWh/1000 h	13 kWh

Product Data	
Full product code	871869651488700
Order product name	MAS LEDspotLV D 11-50W 927 AR111 24D
EAN/UPC – product	8718696514887
Order code	51488700
Local Code	MLED11AR112724N
Numerator – quantity per pack	1
Numerator – packs per outer box	6
Material no. (12NC)	929001169802
Net weight (piece)	0.160 kg

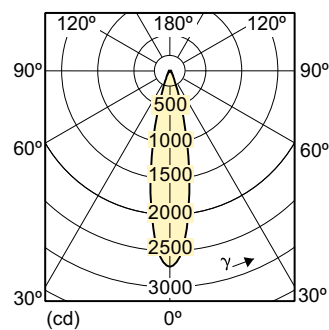
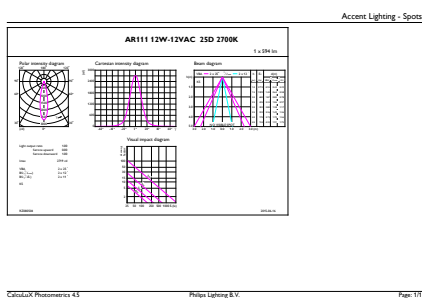
Dimensional drawing



LED D 11-50W 927 AR111 24D

Product	D	C
MAS LEDspotLV D 11-50W 927 AR111 24D	111 mm	62 mm

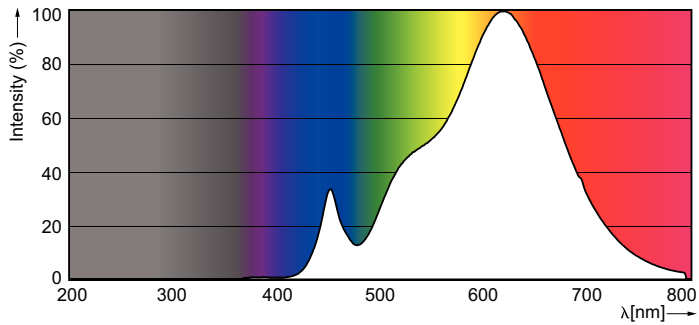
Photometric data



MASTER LEDspot LV AR111 50W G53 927 24D

MASTER LEDspot LV AR111

Photometric data



Lifetime



MASTER LEDspotLV AR111 75W G53 940 40D

MASTER LEDspotLV AR111 75W G53 940 40D

