



MASTER LEDspot LV AR111

MAS LEDspotLV D 11-50W 930 AR111 40D

Delivering a warm, halogen-like accent beam, MASTER LEDspot LV AR111 is an ideal retrofit solution for spot and general lighting applications in the hospitality and retail industry. It is particularly suitable for general lighting where the light is on all the time, such as creative accent lighting applications in shops, restaurants, hotels, and especially for galleries, exhibitions and museums. The robustly designed MASTER LEDspot LV AR111 offers various beam angles for a clearly defined beam spread. There is no UV or IR in the beam, making it suitable for illuminating heat-sensitive objects (food, organic materials, paintings, etc.). The patented intelligent driver enables broad compatibility with existing electromagnetic and electronic halogen transformers. MASTER LEDspot LV AR111 delivers huge energy savings and minimises maintenance cost without any reduction in brightness.

Product data

General Information	
Cap-Base	G53 [G53]
Nominal lifetime	40,000 hour(s)
Switching Cycle	50,000
Lighting Technology	LED
EU RoHS compliant	Yes
Light Technical	
Color Code	930 [CCT of 3000K]
Beam Angle (Nom)	40 degree(s)
Luminous Flux	640 lm
Luminous Intensity (Nom)	1,150 cd
Color Designation	White (WH)
Correlated Color Temperature (Nom)	3000 K

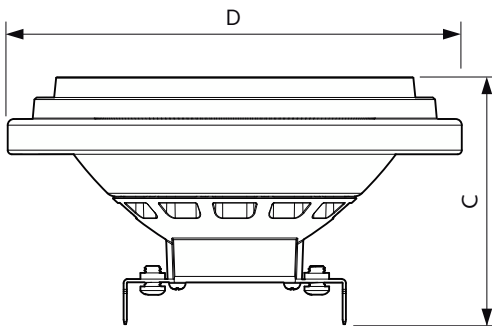
Luminous Efficacy (rated) (Nom)	58.18 lm/W
Color Consistency	<6
Color rendering index (CRI)	90
LLMF At End Of Nominal Lifetime (Nom)	70 %
Luminous Flux in 90° Cone (Rated)	570 lm
Operating and Electrical	
Line Frequency	- Hz
Input Frequency	- Hz
Power Consumption	11 W
Lamp Current (Nom)	1,300 mA
Wattage Equivalent	50 W
Starting Time (Nom)	0.5 s
Warm-up time to 60% light	instant full light s

MASTER LEDspot LV AR111

Power Factor (Fraction)	0.7
Voltage (Nom)	12 V
Temperature	
T-Case Maximum (Nom)	70 °C
Controls and Dimming	
Dimmable	Yes
Mechanical and Housing	
Bulb Shape	AR111
Approval and Application	
Suitable For Accent Lighting	Yes

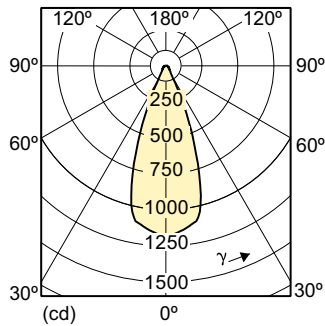
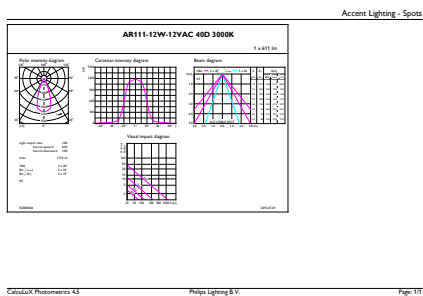
Energy Consumption kWh/1000 h	13 kWh
Product Data	
Order product name	MAS LEDspotLV D 11-50W 930 AR111 40D
Full product name	MAS LEDspotLV D 11-50W 930 AR111 40D
Full product code	871869651514300
Order code	929001170108
Material Nr. (12NC)	929001170108
Numerator - Quantity Per Pack	1
EAN/UPC - Product/Case	8718696515143
Numerator - Packs per outer box	6
EAN/UPC - Case	8718696515150

Dimensional drawing



Product	D	C
MAS LEDspotLV D 11-50W 930 AR111 40D	111 mm	62 mm

Photometric data



Accent Lighting Spots - MAS LEDspotLV D 11-50W 930 AR111 40D

Light Distribution Diagram - MAS LEDspotLV D 11-50W 930 AR111 40D

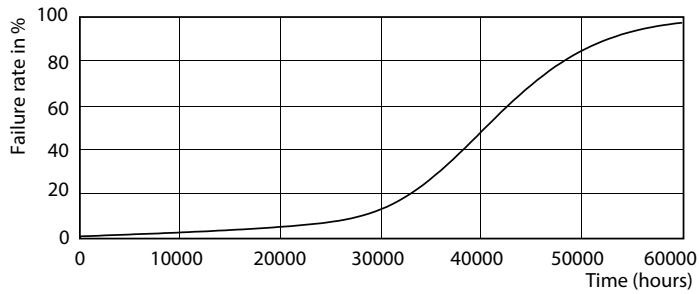
MASTER LEDspot LV AR111

Photometric data

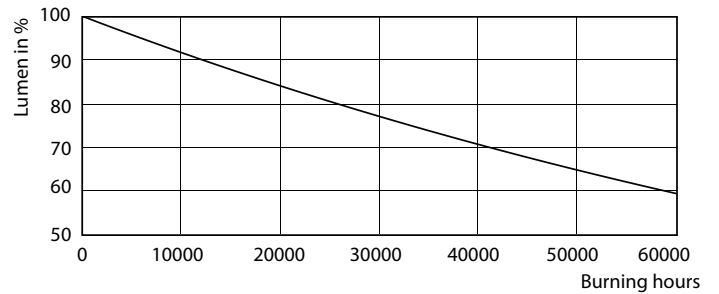


Spectral Power Distribution Colour - MAS LEDspotLV D 11-50W 930 AR111 40D

Lifetime



Life Expectancy Diagram - MAS LEDspotLV D 11-50W 930 AR111 40D



Lumen Maintenance Diagram - MAS LEDspotLV D 11-50W 930 AR111 40D

