



MASTER LEDspot LV AR111

MAS LEDspotLV D 15-75W 927 AR111 24D

Delivering a warm, halogen-like accent beam, MASTER LEDspot LV AR111 is an ideal retrofit solution for spot and general lighting applications in the hospitality and retail industry. It is particularly suitable for general lighting where the light is on all the time, such as creative accent lighting applications in shops, restaurants, hotels, and especially for galleries, exhibitions and museums. The robustly designed MASTER LEDspot LV AR111 offers various beam angles for a clearly defined beam spread. There is no UV or IR in the beam, making it suitable for illuminating heat-sensitive objects (food, organic materials, paintings, etc.). The patented intelligent driver enables broad compatibility with existing electromagnetic and electronic halogen transformers. MASTER LEDspot LV AR111 delivers huge energy savings and minimizes maintenance cost without any reduction in brightness.

Product data

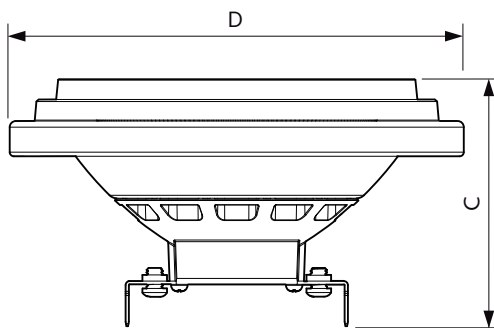
| General Information | | Operating and Electrical | |
|------------------------------|--------------------|--|------------|
| Cap base | G53 [G53] | Rated beam angle | 24 ° |
| Nominal lifetime (nom.) | 40000 h | Correlated colour temperature (nom.) | 2700 K |
| Switching cycle | 50000X | Luminous efficacy (rated) (nom.) | 53.33 lm/W |
| Technical type | 15-75W | Colour consistency | <3 |
| | | Color rendering index (nom.) | 90 |
| | | LLMF at end of nominal lifetime (nom.) | 70 % |
| | | Luminous Flux in 90° Cone (Rated) | 800 lm |
| Light Technical | | | |
| Colour code | 927 | Power (Rated) (Nom) | 15 W |
| Beam Angle (Nom) | 24 ° | Lamp current (nom.) | 1800 mA |
| Light distribution | 24D [Medium beam] | Wattage equivalent | 75 W |
| Luminous flux (nom.) | 800 lm | Starting time (nom.) | 0.5 s |
| Luminous flux (rated) (nom.) | 800 lm | Warm-up time to 60% light (nom.) | 0.5 s |
| Luminous intensity (nom.) | 3900 cd | | |
| Colour designation | Warm White (WW) | | |

MASTER LEDspot LV AR111

| | |
|---------------------------------|--------|
| Power factor (nom.) | 0.7 |
| Voltage (Nom) | 12 V |
| Temperature | |
| T-Case maximum (nom.) | 74 °C |
| Controls and Dimming | |
| Dimmable | Yes |
| Approval and Application | |
| Energy efficiency label (EEL) | A |
| Suitable for accent lighting | Yes |
| Energy Consumption kWh/1000 h | 17 kWh |

| | |
|---------------------------------|--------------------------------------|
| Product Data | |
| Full product code | 871869651496200 |
| Order product name | MAS LEDspotLV D 15-75W 927 AR111 24D |
| EAN/UPC – product | 8718696514962 |
| Order code | 51496200 |
| Numerator – quantity per pack | 1 |
| Numerator – packs per outer box | 6 |
| Material no. (12NC) | 929001170202 |
| Net weight (piece) | 0.160 kg |

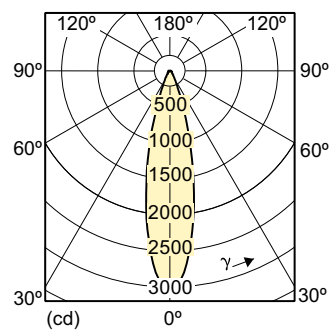
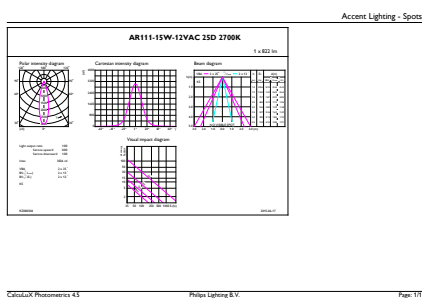
Dimensional drawing



LED D 15-75W 927 AR111 24D

| Product | D | C |
|--------------------------------------|--------|-------|
| MAS LEDspotLV D 15-75W 927 AR111 24D | 111 mm | 62 mm |

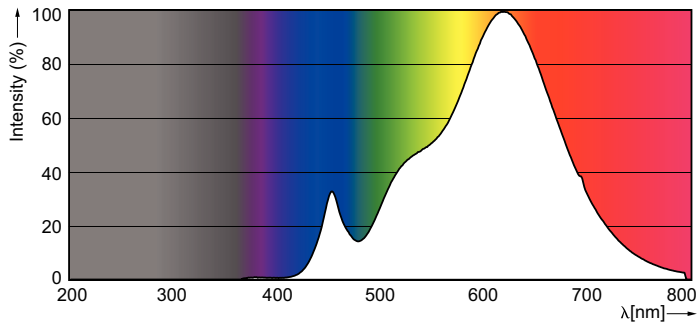
Photometric data



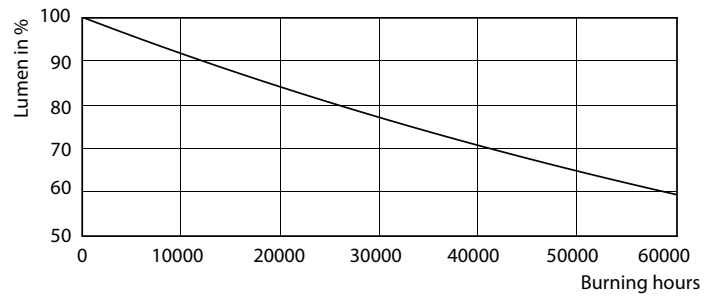
MASTER LEDspot LV AR111 75W G53 927 24D

MASTER LEDspot LV AR111

Photometric data



Lifetime



MASTER LEDspotLV AR111 75W G53 940 40D

MASTER LEDspotLV AR111 75W G53 940 40D

