



# MASTER LEDspot LV AR111

## MAS LEDspotLV D 15-75W 927 AR111 24D

With its new perfect-fit design, the Master LEDspot LV AR111 now works with most of G53 luminaires as a true retrofit solution. The lamp creates a brilliant visual effect for retail and hospitality applications such as shops, showrooms and galleries. The high quality light brings out the true colors in merchandise and emphasizes its beauty. It also lasts long, with a strong lumen and color maintenance. The beautifully designed lamp offers a well-defined beam with a multitude of beam angles to suit various applications. Not only does it employ the Philips patented solution to ensure it is compatible with a broad selection of standard 12V halogen electronic transformers, it also delivers high beam intensity which equivalent to halogen AR111 spots of 50W, 75W or 100W.

### Product data

General Information	
Cap-Base	G53 [ G53]
Nominal Lifetime (Nom)	40000 h
Switching Cycle	50000X
Technical Type	15-75W

Light Technical	
Color Code	927
Beam Angle (Nom)	24 °
Light Distribution	Medium beam 24°
Luminous Flux (Nom)	830 lm
Luminous Flux (Rated) (Nom)	830 lm
Luminous Intensity (Nom)	3900 cd
Color Designation	Warm White (WW)
Rated Beam Angle	24 °
Correlated Color Temperature (Nom)	2700 K

Luminous Efficacy (Rated) (Nom)	55.33 lm/W
Color Consistency	<6
Color Rendering Index (Nom)	90
LLMF At End Of Nominal Lifetime (Nom)	70 %
Luminous Flux in 90° Cone (Rated)	760 lm

Operating and Electrical	
Power (Rated) (Nom)	15 W
Lamp Current (Nom)	1800 mA
Wattage Equivalent	75 W
Starting Time (Nom)	0.5 s
Warm Up Time to 60% Light (Nom)	instant full light
Power Factor (Nom)	0.7
Voltage (Nom)	12 V

# MASTER LEDspot LV AR111

## Temperature

T-Case Maximum (Nom)	74 °C
----------------------	-------

## Controls and Dimming

Dimmable	Yes
----------	-----

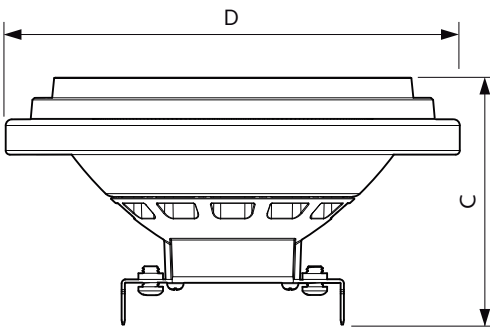
## Approval and Application

Suitable For Accent Lighting	Yes
Energy Efficiency Label (EEL)	A
Energy Consumption kWh/1000 h	16 kWh

## Product Data

Full product code	871869651516700
Order product name	MAS LEDspotLV D 15-75W 927 AR111 24D
EAN/UPC - Product	8718696515167
Order code	929001170208
Numerator - Quantity Per Pack	1
Numerator - Packs per outer box	6
Material Nr. (12NC)	929001170208
Net Weight (Piece)	0.360 kg

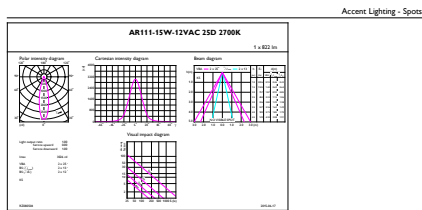
## Dimensional drawing



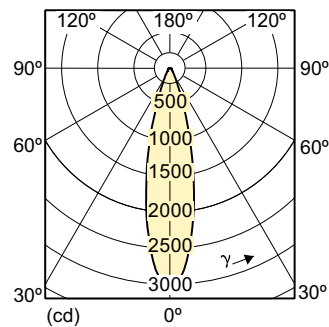
LED D 15-75W 927 AR111 24D

Product	D	C
MAS LEDspotLV D 15-75W 927 AR111 24D	111 mm	62 mm

## Photometric data



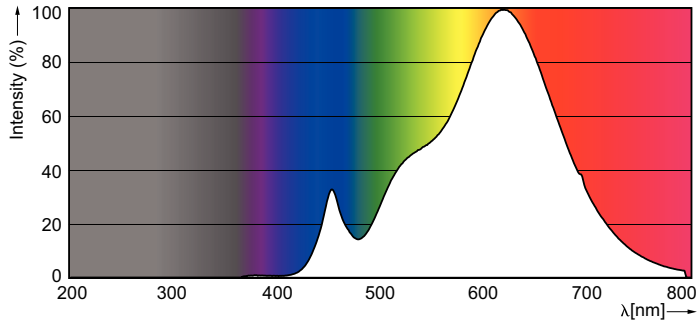
CinLux Photometrics 4.5 Philips Lighting B.V. Page 1/7



15-75 W GX53 /927 AR111 24D

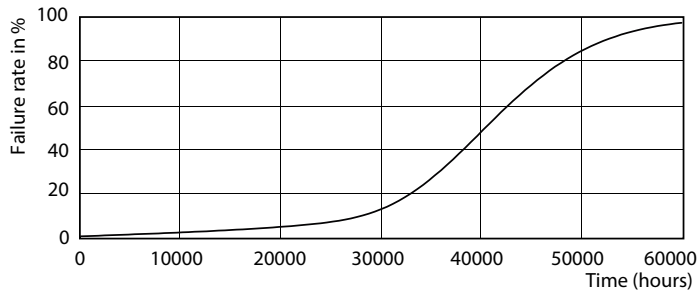
# MASTER LEDspot LV AR111

## Photometric data

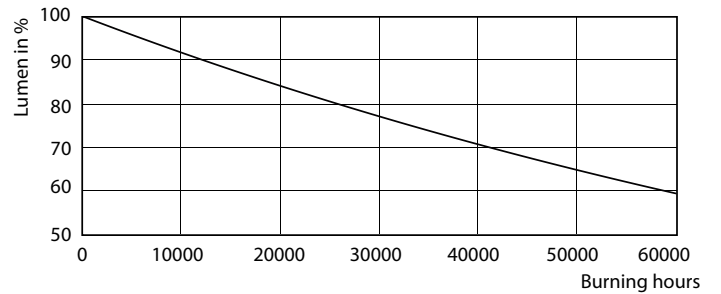


15-75W AR111 /927

## Lifetime



MASTER LEDspotLV AR111 75W G53 940 40D



MASTER LEDspotLV AR111 75W G53 940 40D

