



LED AR111

16AR111/LED/930/F25 DIM 12V 6/1

With an elegant new design, Philips MasterClass LED AR111 creates a brilliant visual effect. With excellent rendering of 90+ CRI and R9>50, colors stay vibrant and natural, enhancing the appeal of everything on display.

Product data

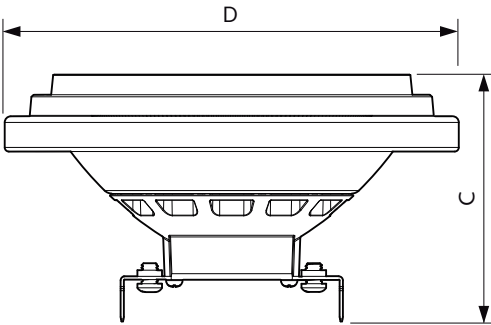
General Information	
Base	G53 [G53]
EU RoHS compliant	Yes
Nominal Lifetime (Nom)	40000 h
Switching Cycle	50000X
Technical Type	15-75W
Light Technical	
Color Code	930 [CCT of 3000K]
Beam Angle (Nom)	25 °
Initial lumen (Nom)	780 lm
Luminous Intensity (Nom)	4000 cd
Color Designation	White (WH)
Correlated Color Temperature (Nom)	3000 K
Luminous Efficacy (rated) (Nom)	52.00 lm/W
Color Consistency	<6
Color Rendering Index (Nom)	90
LLMF At End Of Nominal Lifetime (Nom)	70 %
Luminous Flux in 90° Cone (Rated)	780 lm
Operating and Electrical	
Input Frequency	- Hz
Power (Rated) (Nom)	15 W
Lamp Current (Nom)	1800 mA

Wattage Equivalent	75 W
Starting Time (Nom)	0.5 s
Warm Up Time to 60% Light (Nom)	0.5 s
Power Factor (Nom)	0.7
Voltage (Nom)	12 V
Temperature	
T-Case Maximum (Nom)	74 °C
Controls and Dimming	
Dimmable	Yes
Mechanical and Housing	
Bulb Shape	AR111
Approval and Application	
Suitable For Accent Lighting	Yes
Energy Consumption kWh/1000 h	- kWh
Product Data	
Order product name	16AR111/LED/930/F25 DIM 12V FB 1PK 6/1
EAN/UPC - Product	046677458553
Order code	458554
Numerator - Quantity Per Pack	1

LED AR111

Numerator - Packs per outer box	6
Material Nr. (12NC)	929001170304
Net Weight (Piece)	0.160 kg

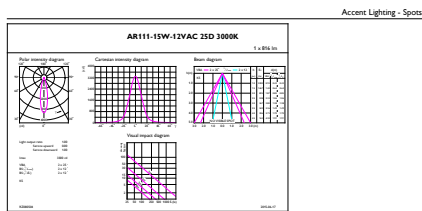
Dimensional drawing



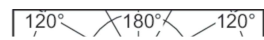
LED D 15-75W 930 AR111 24D

Product	D	C
16AR111/LED/930/F25 DIM 12V FB 1PK 6/1	111 mm	62 mm

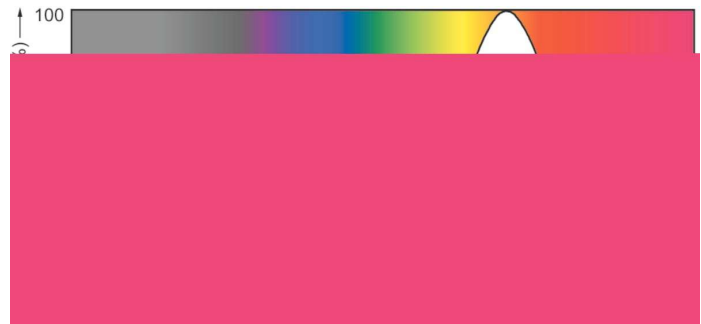
Photometric data



CalcLux Photometrics 4.5 Philips Lighting B.V. Page: 1/1



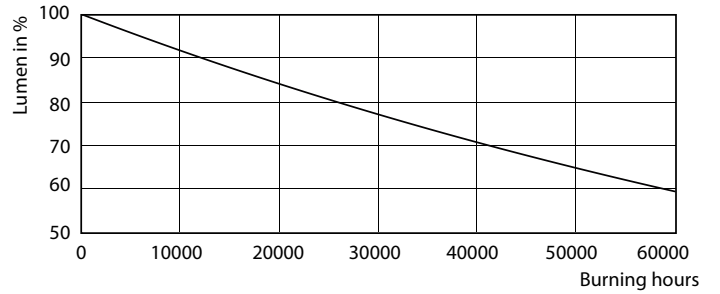
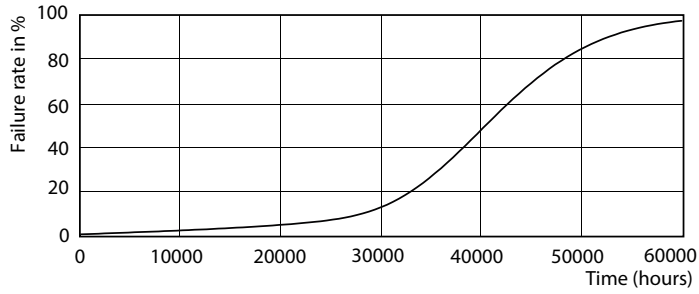
MASTER LEDspot LV AR111 75W G53 930 24D



SDPO_LEDspotL_0028-Spectral Power distribution

LED AR111

Lifetime



MASTER LEDspotLV AR111 75W G53 940 40D

MASTER LEDspotLV AR111 75W G53 940 40D

