



# MASTER LEDspot LV AR111

## MAS LEDspotLV D 15-75W 930 AR111 24D

Delivering a warm, halogen-like accent beam, MASTER LEDspot LV AR111 is an ideal retrofit solution for spot and general lighting applications in the hospitality and retail industry. It is particularly suitable for general lighting where the light is on all the time, such as creative accent lighting applications in shops, restaurants, hotels, and especially for galleries, exhibitions and museums. The robustly designed MASTER LEDspot LV AR111 offers various beam angles for a clearly defined beam spread. There is no UV or IR in the beam, making it suitable for illuminating heat-sensitive objects (food, organic materials, paintings, etc.). The patented intelligent driver enables broad compatibility with existing electromagnetic and electronic halogen transformers. MASTER LEDspot LV AR111 delivers huge energy savings and minimizes maintenance cost without any reduction in brightness.

### Product data

General Information	
Cap base	G53 [ G53]
EU RoHS compliant	Yes
Nominal lifetime (nom.)	40000 h
Switching cycle	50,000X
Technical type	15-75W

Light Technical	
Colour Code	930 [ CCT of 3,000 K]
Beam Angle (Nom)	24 °
Luminous flux (nom.)	840 lm
Luminous intensity (nom.)	4000 cd
Colour designation	White (WH)
Correlated Colour Temperature (Nom)	3000 K

Luminous efficacy (rated) (nom.)	56.00 lm/W
Colour consistency	<6
Colour rendering index (nom.)	90
LLMF at end of nominal lifetime (nom.)	70 %
Luminous flux in 90° cone (rated)	770 lm

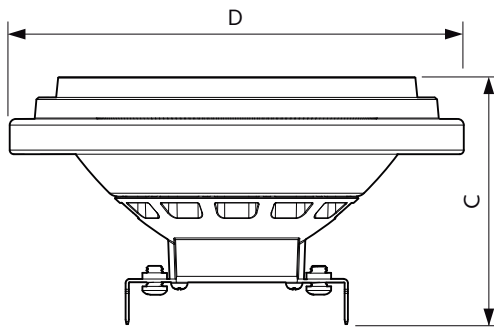
Operating and Electrical	
Input frequency	- Hz
Power (Rated) (Nom)	15 W
Lamp current (nom.)	1800 mA
Wattage equivalent	75 W
Starting time (nom.)	0.5 s
Warm-up time to 60% light (nom.)	instant full light
Power factor (nom.)	0.7

# MASTER LEDspot LV AR111

Voltage (Nom)	12 V
<b>Temperature</b>	
T-Case maximum (nom.)	74 °C
<b>Controls and Dimming</b>	
Dimmable	Yes
<b>Mechanical and Housing</b>	
Bulb shape	AR111
<b>Approval and Application</b>	
Suitable for accent lighting	Yes

Energy consumption kWh/1,000 hours	17 kWh
<b>Product Data</b>	
Full product code	871869651518100
Order product name	MAS LEDspotLV D 15-75W 930 AR111 24D
EAN/UPC – product	8718696515181
Order code	51518100
SAP numerator – quantity per pack	1
Numerator – packs per outer box	6
SAP material	929001170308
SAP net weight (piece)	0.360 kg

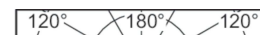
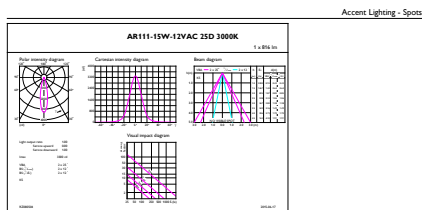
## Dimensional drawing



MAS LEDspotLV D 15-75W 930 AR111 24D

Product	D	C
MAS LEDspotLV D 15-75W 930 AR111 24D	111 mm	62 mm

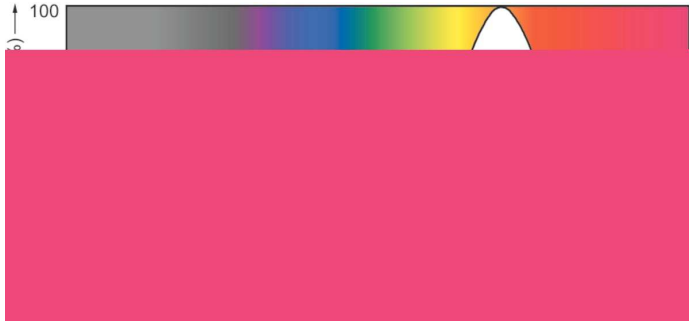
## Photometric data



MASTER LEDspot LV AR111 75W G53 930 24D

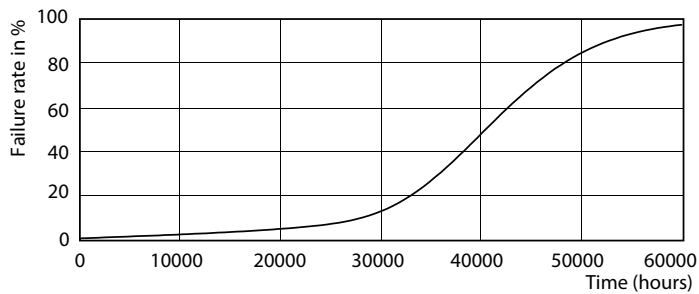
# MASTER LEDspot LV AR111

## Photometric data

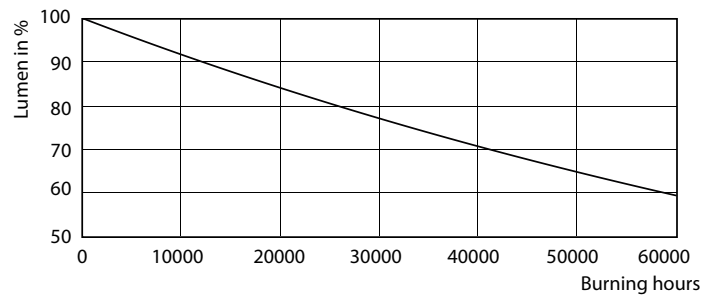


SDPO\_LEDspotL\_0028-Spectral Power distribution

## Lifetime



MASTER LEDspotLV AR111 75W G53 940 40D



MASTER LEDspotLV AR111 75W G53 940 40D

