



# MASTER LEDspot LV AR111

## MAS LEDspotLV D 15-75W 927 AR111 40D

Delivering a warm, halogen-like accent beam, MASTER LEDspot LV AR111 is an ideal retrofit solution for spot and general lighting applications in the hospitality and retail industry. It is particularly suitable for general lighting where the light is on all the time, such as creative accent lighting applications in shops, restaurants, hotels, and especially for galleries, exhibitions and museums. The robustly designed MASTER LEDspot LV AR111 offers various beam angles for a clearly defined beam spread. There is no UV or IR in the beam, making it suitable for illuminating heat-sensitive objects (food, organic materials, paintings, etc.). The patented intelligent driver enables broad compatibility with existing electromagnetic and electronic halogen transformers. MASTER LEDspot LV AR111 delivers huge energy savings and minimizes maintenance cost without any reduction in brightness.

### Product data

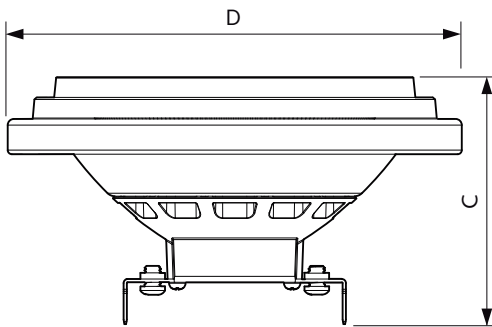
| General Information          |                    | Operating and Electrical               |                    |
|------------------------------|--------------------|--|--------------------|
| Cap base                     | G53 [ G53]         | Rated beam angle                       | 40 °               |
| Nominal lifetime (nom.)      | 40000 h            | Correlated colour temperature (nom.)   | 2700 K             |
| Switching cycle              | 50000X             | Luminous efficacy (rated) (nom.)       | 55.33 lm/W         |
| Technical type               | 15-75W             | Colour consistency                     | <6                 |
|                              |                    | Color rendering index (nom.)           | 90                 |
|                              |                    | LLMF at end of nominal lifetime (nom.) | 70 %               |
| Light Technical              |                    |  |                    |
| Colour code                  | 927                | Power (Rated) (Nom)                    | 15 W               |
| Beam Angle (Nom)             | 40 °               | Lamp current (nom.)                    | 1800 mA            |
| Light distribution           | 40D [ Medium beam] | Wattage equivalent                     | 75 W               |
| Luminous flux (nom.)         | 830 lm             | Starting time (nom.)                   | 0.5 s              |
| Luminous flux (rated) (nom.) | 830 lm             | Warm-up time to 60% light (nom.)       | instant full light |
| Luminous intensity (nom.)    | 1400 cd            | Power factor (nom.)                    | 0.7                |
| Colour designation           | Warm White (WW)    |  |                    |

# MASTER LEDspot LV AR111

|                                 |        |
|---------------------------------|--------|
| Voltage (Nom)                   | 12 V   |
| <b>Temperature</b>              |        |
| T-Case maximum (nom.)           | 74 °C  |
| <b>Controls and Dimming</b>     |        |
| Dimmable                        | Yes    |
| <b>Approval and Application</b> |        |
| Energy efficiency label (EEL)   | A      |
| Suitable for accent lighting    | Yes    |
| Energy Consumption kWh/1000 h   | 17 kWh |

|                                 |                                      |
|---------------------------------|--------------------------------------|
| <b>Product Data</b>             |                                      |
| Full product code               | 871869651520400                      |
| Order product name              | MAS LEDspotLV D 15-75W 927 AR111 40D |
| EAN/UPC – product               | 8718696515204                        |
| Order code                      | 51520400                             |
| Numerator – quantity per pack   | 1                                    |
| Numerator – packs per outer box | 6                                    |
| Material no. (12NC)             | 929001170408                         |
| Net weight (piece)              | 0.360 kg                             |

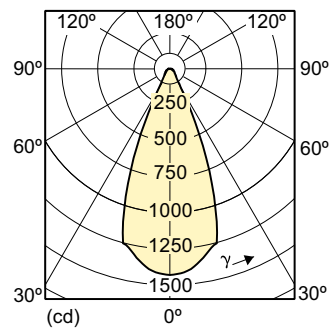
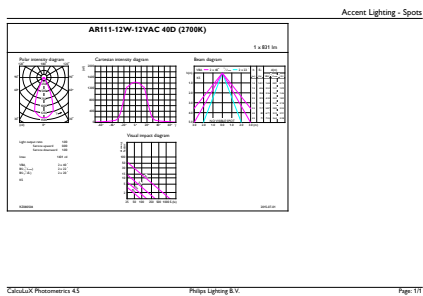
## Dimensional drawing



LED D 15-75W 927 AR111 40D

| Product                              | D      | C     |
|--------------------------------------|--------|-------|
| MAS LEDspotLV D 15-75W 927 AR111 40D | 111 mm | 62 mm |

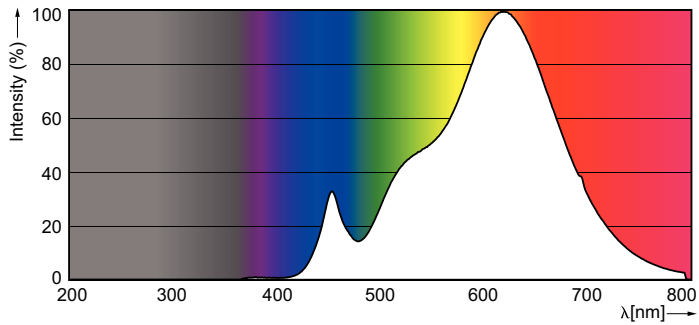
## Photometric data



MASTER LEDspot LV AR111 75W G53 927 40D

# MASTER LEDspot LV AR111

## Photometric data



## Lifetime



MASTER LEDspotLV AR111 75W G53 940 40D

MASTER LEDspotLV AR111 75W G53 940 40D

