



# MASTER LEDspot LV AR111

## MAS LEDspotLV D 15-75W 927 AR111 40D

Delivering a warm, halogen-like accent beam, MASTER LEDspot LV AR111 is an ideal retrofit solution for spot and general lighting applications in the hospitality and retail industry. It is particularly suitable for general lighting where the light is on all the time, such as creative accent lighting applications in shops, restaurants, hotels, and especially for galleries, exhibitions and museums. The robustly designed MASTER LEDspot LV AR111 offers various beam angles for a clearly defined beam spread. There is no UV or IR in the beam, making it suitable for illuminating heat-sensitive objects (food, organic materials, paintings, etc.). The patented intelligent driver enables broad compatibility with existing electromagnetic and electronic halogen transformers. MASTER LEDspot LV AR111 delivers huge energy savings and minimises maintenance cost without any reduction in brightness.

### Product data

General Information		Rated beam angle	
Cap base	G53 [ G53]		40 °
Nominal lifetime (nom.)	40000 h	Colour Temperature, horizontal (Nom)	2700 K
Switching cycle	50000X	Lamp Luminous Efficacy EM (Nom)	55.33 lm/W
Technical type	15-75W	Colour consistency	<6
		Colour Rendering Index,horiz (Nom)	90
		LLMF at end of nominal lifetime (nom.)	70 %
Light Technical		Operating and Electrical	
Colour Code	927	Technical Lamp Power (Nom)	15 W
Technical Beam Angle (Nom)	40 °	Lamp current (nom.)	1800 mA
Light distribution	Wide beam 40°	Wattage equivalent	75 W
Lamp Luminous Flux 25°C EL (Nom)	830 lm	Starting time (nom.)	0.5 s
Lamp Luminous Flux (Nom)	830 lm	Warm-up time to 60% light (nom.)	instant full light
Luminous intensity (nom.)	1400 cd	Power factor (nom.)	0.7
Colour Designation	Warm white (WW)		

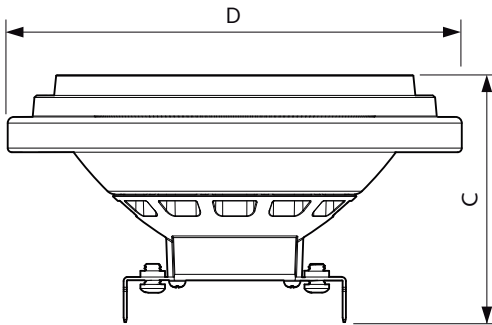
# MASTER LEDspot LV AR111

Voltage (nom.)	12 V
<b>Temperature</b>	
T-Case maximum (nom.)	74 °C
<b>Controls and Dimming</b>	
Dimmable	yes
<b>Approval and Application</b>	
Suitable for accent lighting	Yes
Energy efficiency label (EEL)	A
Energy Consumption kWh/1000 h	17 kWh

## Product Data

Full product code	871869651520400
Order product name	MAS LEDspotLV D 15-75W 927 AR111 40D
EAN/UPC – product	8718696515204
Order code	929001170408
Numerator – quantity per pack	1
Numerator – packs per outer box	6
Material no. (12NC)	929001170408
Net weight (piece)	0.360 kg

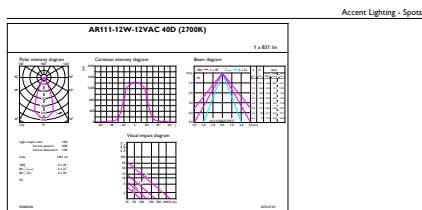
## Dimensional drawing



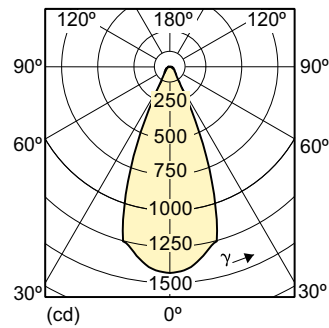
LED D 15-75W 927 AR111 40D

Product	D	C
MAS LEDspotLV D 15-75W 927 AR111 40D	111 mm	62 mm

## Photometric data

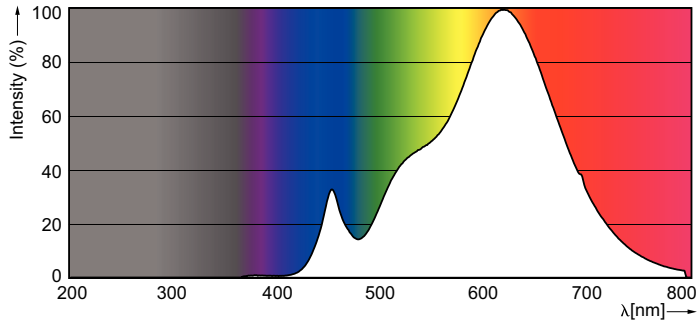


CalcLux Photometrics 4.5 Philips Lighting B.V. Page 1/17

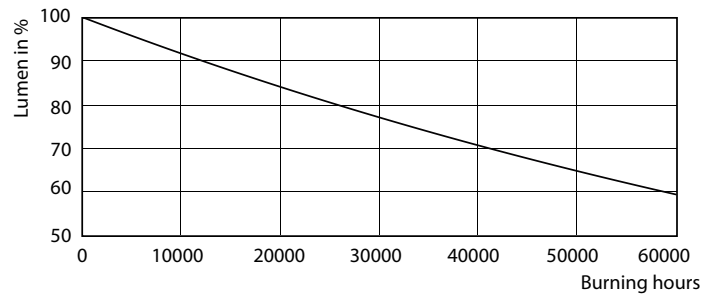
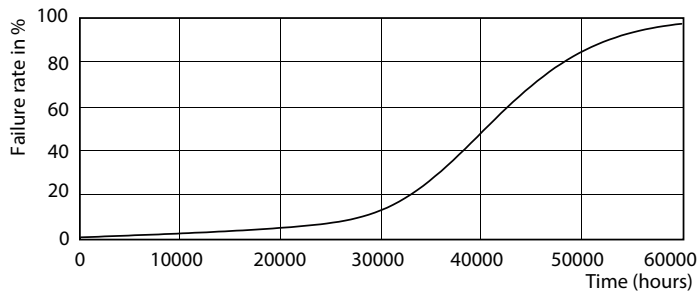


# MASTER LEDspot LV AR111

## Photometric data



## Lifetime



MASTER LEDspotLV AR111 75W G53 940 40D

MASTER LEDspotLV AR111 75W G53 940 40D

