



# MASTER LEDspot LV AR111

## MAS LEDspotLV D 15-75W 927 AR111 40D

With its new perfect-fit design, the Master LEDspot LV AR111 now works with most of G53 luminaires as a true retrofit solution. The lamp creates a brilliant visual effect for retail and hospitality applications such as shops, showrooms and galleries. The high quality light brings out the true colors in merchandise and emphasizes its beauty. It also lasts long, with a strong lumen and color maintenance. The beautifully designed lamp offers a well-defined beam with a multitude of beam angles to suit various applications. Not only does it employ the Philips patented solution to ensure it is compatible with a broad selection of standard 12V halogen electronic transformers, it also delivers high beam intensity which equivalent to halogen AR111 spots of 50W, 75W or 100W.

### Product data

General Information		Color Consistency	
Cap-Base	G53 [ G53]	Color Rendering Index (Nom)	90
EU RoHS compliant	Yes	LLMF At End Of Nominal Lifetime (Nom)	70 %
Nominal Lifetime (Nom)	40000 h	<b>Operating and Electrical</b>	
Switching Cycle	50000X	Power (Nom)	15 W
Technical Type	15-75W	Lamp Current (Nom)	1800 mA
<b>Light Technical</b>		Wattage Equivalent	75 W
Color Code	927	Starting Time (Nom)	0.5 s
Beam Angle (Nom)	40 °	Warm Up Time to 60% Light (Nom)	instant full light
Luminous Flux (Nom)	830 lm	Power Factor (Nom)	0.7
Luminous Intensity (Nom)	1400 cd	Voltage (Nom)	12 V
Color Designation	Warm White (WW)		
Correlated Color Temperature (Nom)	2700 K		
Luminous Efficacy (rated) (Nom)	55.33 lm/W		

# MASTER LEDspot LV AR111

## Temperature

T-Case Maximum (Nom)	74 °C
----------------------	-------

## Controls and Dimming

Dimmable	Yes
----------	-----

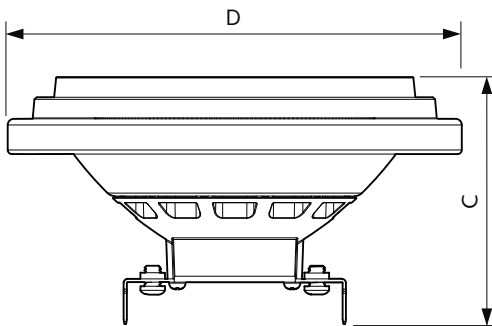
## Approval and Application

Energy Efficiency Label (EEL)	A
Suitable For Accent Lighting	Yes
Energy Consumption kWh/1000 h	17 kWh

## Product Data

Full product code	871869651520400
Order product name	MAS LEDspotLV D 15-75W 927 AR111 40D
EAN/UPC - Product	8718696515204
Order code	929001170408
Numerator - Quantity Per Pack	1
Numerator - Packs per outer box	6
Material Nr. (12NC)	929001170408
Net Weight (Piece)	0.360 kg

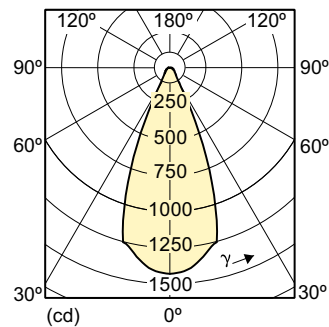
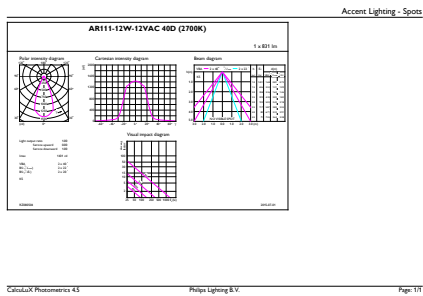
## Dimensional drawing



LED D 15-75W 927 AR111 40D

Product	D	C
MAS LEDspotLV D 15-75W 927 AR111 40D	111 mm	62 mm

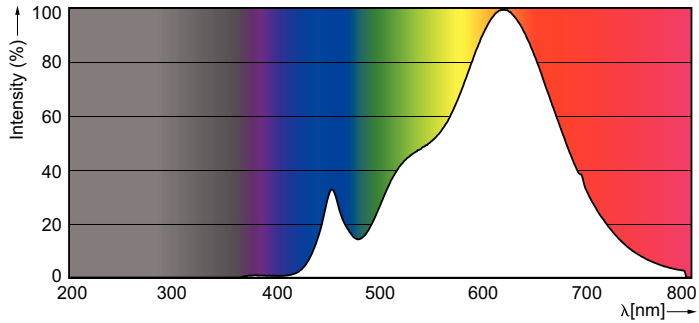
## Photometric data



MASTER LEDspot LV AR111 75W G53 927 40D

# MASTER LEDspot LV AR111

## Photometric data



SDPO\_LEDspotL\_0027-Spectral Power distribution

## Lifetime



MASTER LEDspotLV AR111 75W G53 940 40D



MASTER LEDspotLV AR111 75W G53 940 40D

