



# MASTER LEDspot LV AR111

## MAS LEDspotLV D 15-75W 930 AR111 40D

Delivering a warm, halogen-like accent beam, MASTER LEDspot LV AR111 is an ideal retrofit solution for spot and general lighting applications in the hospitality and retail industry. It is particularly suitable for general lighting where the light is on all the time, such as creative accent lighting applications in shops, restaurants, hotels, and especially for galleries, exhibitions and museums. The robustly designed MASTER LEDspot LV AR111 offers various beam angles for a clearly defined beam spread. There is no UV or IR in the beam, making it suitable for illuminating heat-sensitive objects (food, organic materials, paintings, etc.). The patented intelligent driver enables broad compatibility with existing electromagnetic and electronic halogen transformers. MASTER LEDspot LV AR111 delivers huge energy savings and minimises maintenance cost without any reduction in brightness.

### Product data

General Information		Operating and Electrical	
Cap base	G53 [ G53]	Rated beam angle	40 °
Nominal lifetime (nom.)	40000 h	Colour Temperature, horizontal (Nom)	3000 K
Switching cycle	50000X	Lamp Luminous Efficacy EM (Nom)	56.00 lm/W
Technical type	15-75W	Colour consistency	<6
		Colour Rendering Index,horiz (Nom)	90
		LLMF at end of nominal lifetime (nom.)	70 %
		Luminous Flux in 90° Cone (Rated)	760 lm
Light Technical			
Colour Code	930 [ CCT of 3000K]	Power (Rated) (Nom)	15 W
Technical Beam Angle (Nom)	40 °	Lamp current (nom.)	1800 mA
Light distribution	40D [ Medium beam]	Wattage equivalent	75 W
Lamp Luminous Flux 25°C EL (Nom)	840 lm	Starting time (nom.)	0.5 s
Lamp Luminous Flux (Nom)	840 lm	Warm-up time to 60% light (nom.)	instant full light
Luminous intensity (nom.)	1450 cd		
Colour Designation	White (WH)		

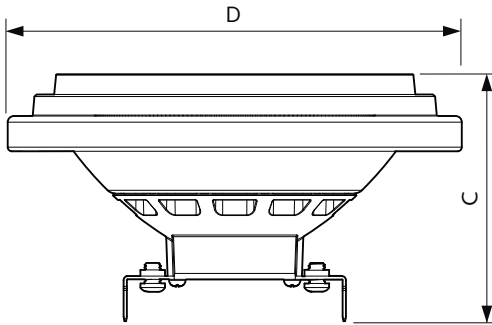
# MASTER LEDspot LV AR111

Power factor (nom.)	0.7
Voltage (Nom)	12 V
<b>Temperature</b>	
T-Case maximum (nom.)	74 °C
<b>Controls and Dimming</b>	
Dimmable	yes
<b>Approval and Application</b>	
Suitable for accent lighting	Yes
Energy efficiency label (EEL)	A
Energy Consumption kWh/1000 h	17 kWh

## Product Data

Full product code	871869651522800
Order product name	MAS LEDspotLV D 15-75W 930 AR111 40D
EAN/UPC – product	8718696515228
Order code	929001170508
Numerator – quantity per pack	1
Numerator – packs per outer box	6
Material no. (12NC)	929001170508
Net weight (piece)	0.360 kg

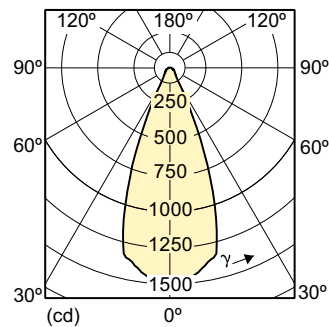
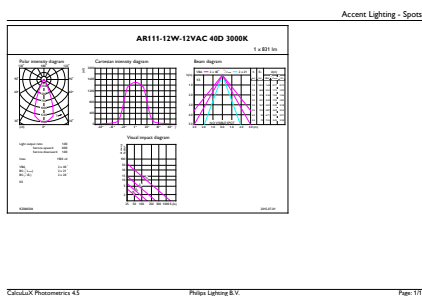
## Dimensional drawing



LED D 15-75W 930 AR111 40D

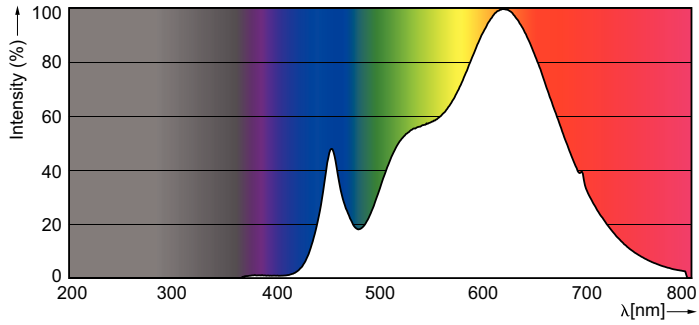
Product	D	C
MAS LEDspotLV D 15-75W 930 AR111 40D	111 mm	62 mm

## Photometric data

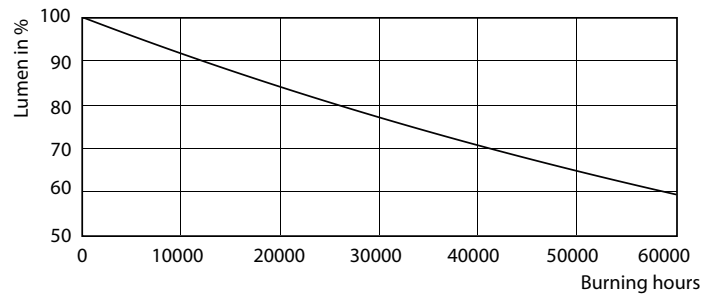
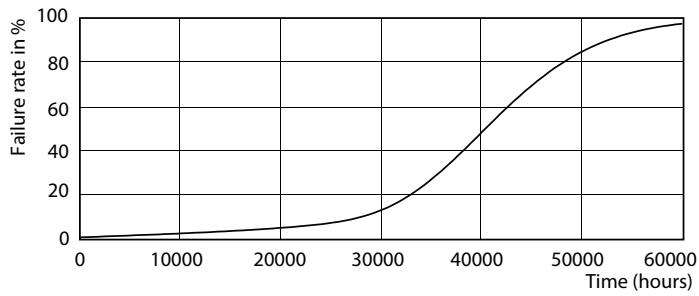


# MASTER LEDspot LV AR111

## Photometric data



## Lifetime



MASTER LEDspotLV AR111 75W G53 940 40D

MASTER LEDspotLV AR111 75W G53 940 40D

