



# MASTER LEDspot LV AR111

## MAS LEDspotLV D 20-100W 840 AR111 12D

Delivering a warm, halogen-like accent beam, MASTER LEDspot LV AR111 is an ideal retrofit solution for spot and general lighting applications in the hospitality and retail industry. It is particularly suitable for general lighting where the light is on all the time, such as creative accent lighting applications in shops, restaurants, hotels, and especially for galleries, exhibitions and museums. The robustly designed MASTER LEDspot LV AR111 offers various beam angles for a clearly defined beam spread. There is no UV or IR in the beam, making it suitable for illuminating heat-sensitive objects (food, organic materials, paintings, etc.). The patented intelligent driver enables broad compatibility with existing electromagnetic and electronic halogen transformers. MASTER LEDspot LV AR111 delivers huge energy savings and minimises maintenance cost without any reduction in brightness.

### Product data

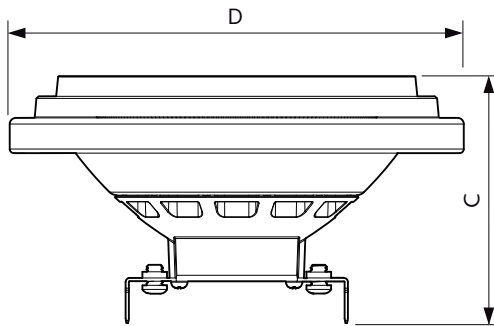
General Information		Operating and Electrical	
Cap base	G53 [ G53]	Rated beam angle	12 °
Nominal lifetime (nom.)	25000 h	Colour Temperature, horizontal (Nom)	4000 K
Switching cycle	50000X	Lamp Luminous Efficacy EM (Nom)	70 lm/W
Technical type	20-100W	Colour consistency	<6
		Colour Rendering Index,horiz (Nom)	80
		LLMF at end of nominal lifetime (nom.)	70 %
Light Technical			
Colour Code	840 [ CCT of 4,000 K]	Power (Rated) (Nom)	20 W
Technical Beam Angle (Nom)	12 °	Lamp current (nom.)	2400 mA
Light distribution	12D [ Narrow beam]	Wattage equivalent	100 W
Lamp Luminous Flux 25°C EL (Nom)	1400 lm	Starting time (nom.)	0.5 s
Lamp Luminous Flux (Nom)	1400 lm	Warm-up time to 60% light (nom.)	instant full light
Luminous intensity (nom.)	11000 cd	Power factor (nom.)	0.7
Colour Designation	Cool White (CW)		

# MASTER LEDspot LV AR111

Voltage (Nom)	12 V
<b>Temperature</b>	
T-Case maximum (nom.)	80 °C
<b>Controls and Dimming</b>	
Dimmable	yes
<b>Approval and Application</b>	
Suitable for accent lighting	Yes
Energy Consumption kWh/1000 h	22 kWh

<b>Product Data</b>	
Full product code	871869651526600
Order product name	MAS LEDspotLV D 20-100W 840 AR111 12D
EAN/UPC – product	8718696515266
Order code	929001170708
Numerator – quantity per pack	1
Numerator – packs per outer box	6
Material no. (12NC)	929001170708
Net weight (piece)	0.360 kg

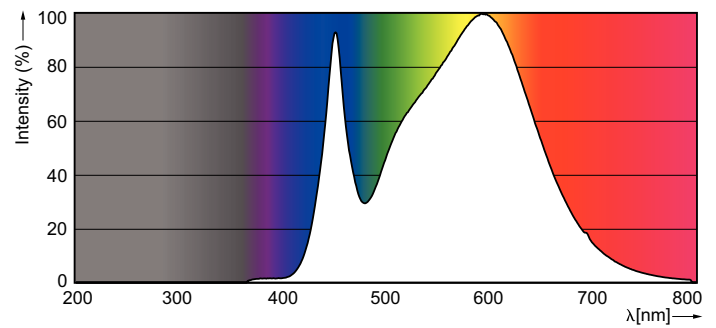
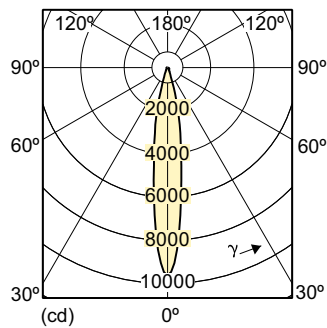
## Dimensional drawing



LED D 20-100W 840 AR111 12D

Product	D	C
MAS LEDspotLV D 20-100W 840 AR111 12D	111 mm	62.3 mm

## Photometric data



## MASTER LEDspot LV AR111

