



MASTER LEDspot LV AR111

MAS LEDspotLV D 20-100W 827 AR111 24D

Delivering a warm, halogen-like accent beam, MASTER LEDspot LV AR111 is an ideal retrofit solution for spot and general lighting applications in the hospitality and retail industry. It is particularly suitable for general lighting where the light is on all the time, such as creative accent lighting applications in shops, restaurants, hotels, and especially for galleries, exhibitions and museums. The robustly designed MASTER LEDspot LV AR111 offers various beam angles for a clearly defined beam spread. There is no UV or IR in the beam, making it suitable for illuminating heat-sensitive objects (food, organic materials, paintings, etc.). The patented intelligent driver enables broad compatibility with existing electromagnetic and electronic halogen transformers. MASTER LEDspot LV AR111 delivers huge energy savings and minimises maintenance cost without any reduction in brightness.

Product data

General Information	
Cap base	G53 [G53]
Nominal lifetime (nom.)	25000 h
Switching cycle	50000X
Technical type	20-100W
Light Technical	
Colour code	827 [CCT of 2,700 K]
Beam Angle (Nom)	24 °
Light distribution	24D [Medium beam]
Luminous flux (nom.)	1180 lm
Luminous flux (rated) (nom.)	1180 lm
Luminous intensity (nom.)	5800 cd
Colour designation	Warm white (WW)

Rated beam angle	24 °
Correlated colour temperature (nom.)	2700 K
Luminous efficacy (rated) (nom.)	59.00 lm/W
Colour consistency	<3
Color rendering index (nom.)	80
LLMF at end of nominal lifetime (nom.)	70 %
Luminous Flux in 90° Cone (Rated)	1180 lm
Operating and Electrical	
Power (Rated) (Nom)	20 W
Lamp current (nom.)	2400 mA
Wattage equivalent	100 W
Starting time (nom.)	0.5 s
Warm-up time to 60% light (nom.)	0.5 s

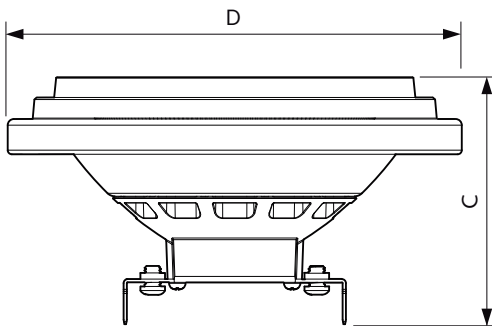
MASTER LEDspot LV AR111

Power factor (nom.)	0.7
Voltage (Nom)	12 V
Temperature	
T-Case maximum (nom.)	80 °C
Controls and Dimming	
Dimmable	yes
Approval and Application	
Energy efficiency label (EEL)	A
Suitable for accent lighting	Yes
Energy Consumption kWh/1000 h	22 kWh

Product Data

Full product code	871869651504400
Order product name	MAS LEDspotLV D 20-100W 827 AR111 24D
EAN/UPC – product	8718696515044
Order code	51504400
Numerator – quantity per pack	1
Numerator – packs per outer box	6
Material no. (12NC)	929001170802
Net weight (piece)	0.160 kg

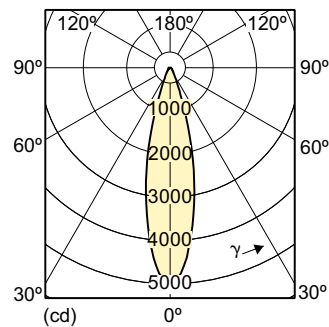
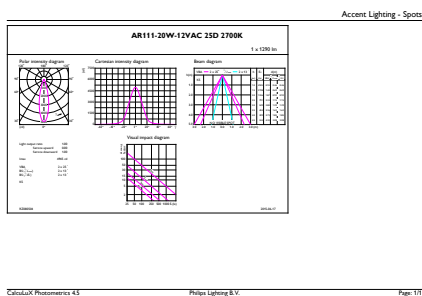
Dimensional drawing



LED D 20-100W 827 AR111 24D

Product	D	C
MAS LEDspotLV D 20-100W 827 AR111 24D	111 mm	62 mm

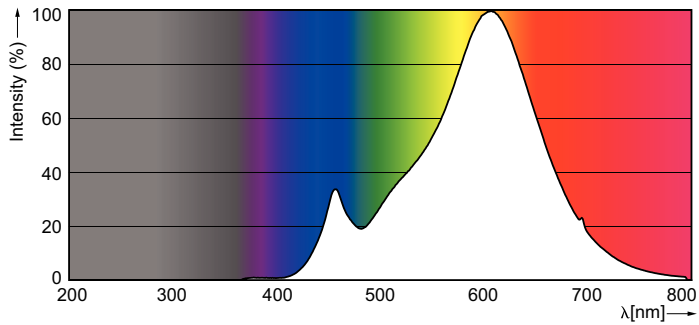
Photometric data



MASTER LEDspot LV AR111 100W G53 827 24D

MASTER LEDspot LV AR111

Photometric data



Lifetime



MASTER LEDspotLV AR111 100W G53 40D

MASTER LEDspotLV AR111 100W G53 40D

