



LED AR111

20AR111/LED/827/F25/DIM 12V 6/1

With an elegant new design, Philips MasterClass LED AR111 creates a brilliant visual effect. With excellent rendering of 90+ CRI and R9>50, colors stay vibrant and natural, enhancing the appeal of everything on display.

Product data

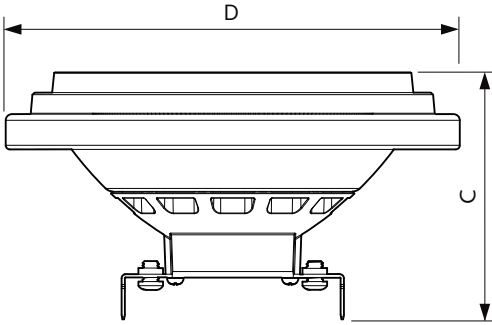
General Information	
Base	G53 [G53]
Nominal Lifetime (Nom)	25000 h
Switching Cycle	50000X
Technical Type	20-100W
Light Technical	
Color Code	827 [CCT of 2700K]
Beam Angle (Nom)	25°
Light Distribution	25D [Medium beam]
Initial lumen (Nom)	1240 lm
Luminous Flux (Rated) (Nom)	1240 lm
Luminous Intensity (Nom)	5600 cd
Color Designation	Warm White (WW)
Rated Beam Angle	25°
Correlated Color Temperature (Nom)	2700 K
Luminous Efficacy (rated) (Nom)	62.00 lm/W
Color Consistency	<6
Color Rendering Index (Nom)	80
LLMF At End Of Nominal Lifetime (Nom)	70 %
Luminous Flux in 90° Cone (Rated)	1240 lm
Operating and Electrical	
Power (Rated) (Nom)	20 W

Lamp Current (Nom)	2400 mA
Starting Time (Nom)	0.5 s
Warm Up Time to 60% Light (Nom)	0.5 s
Power Factor (Nom)	0.7
Voltage (Nom)	12 V
Temperature	
T-Case Maximum (Nom)	80 °C
Controls and Dimming	
Dimmable	Yes
Approval and Application	
Energy Efficiency Label (EEL)	Not applicable
Suitable For Accent Lighting	Yes
Energy Consumption kWh/1000 h	- kWh
Product Data	
Order product name	20AR111/LED/827/F25 DIM 12V FB 1PK 6/1
EAN/UPC - Product	046677460136
Order code	460139
Numerator - Quantity Per Pack	1
Numerator - Packs per outer box	6
Material Nr. (12NC)	929001170804

LED AR111

Net Weight (Piece) 0.160 kg

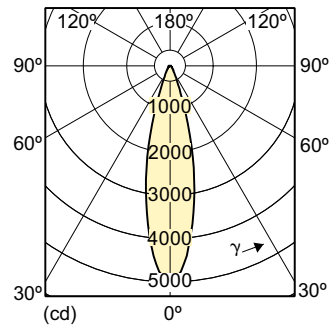
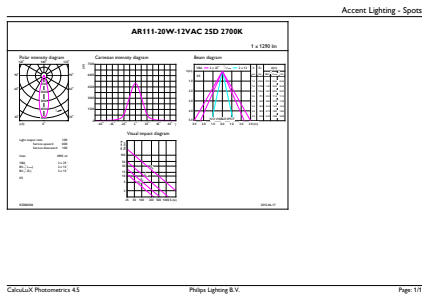
Dimensional drawing



LED D 20-100W 827 AR111 24D

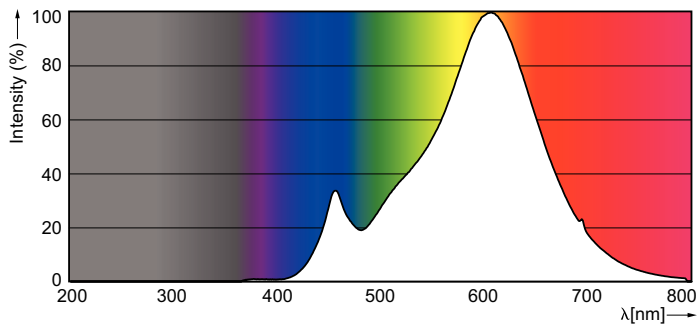
Product	D	C
20AR111/LED/827/F25 DIM 12V FB 1PK 6/1	111 mm	62 mm

Photometric data



MASTER LEDspot LV AR111 100W G53 827 24D

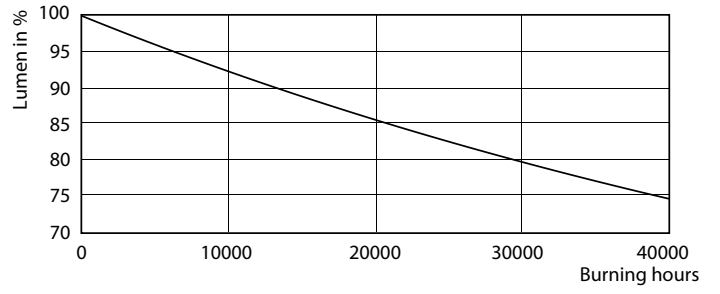
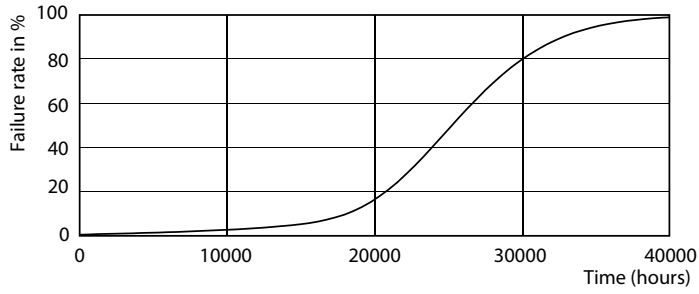
20-100 W GX53 /827 AR111 24D



20-100W AR111 /827

LED AR111

Lifetime



MASTER LEDspotLV AR111 100W G53 40D

MASTER LEDspotLV AR111 100W G53 40D

