



LED AR111

20AR111/LED/830/F25 DIM 12V 6/1

With an elegant new design, Philips MasterClass LED AR111 creates a brilliant visual effect. With excellent rendering of 90+ CRI and R9>50, colors stay vibrant and natural, enhancing the appeal of everything on display.

Product data

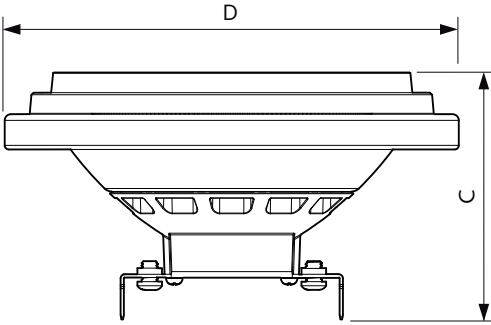
General Information	
Base	G53 [G53]
EU RoHS compliant	Yes
Nominal Lifetime (Nom)	25000 h
Switching Cycle	50000X
Technical Type	20-100W
Light Technical	
Color Code	830 [CCT of 3000K]
Beam Angle (Nom)	25 °
Initial lumen (Nom)	1280 lm
Luminous Intensity (Nom)	5800 cd
Color Designation	White (WH)
Correlated Color Temperature (Nom)	3000 K
Luminous Efficacy (rated) (Nom)	64 lm/W
Color Consistency	<6
Color Rendering Index (Nom)	80
LLMF At End Of Nominal Lifetime (Nom)	70 %
Operating and Electrical	
Input Frequency	- Hz
Power (Rated) (Nom)	20 W
Lamp Current (Nom)	2400 mA
Wattage Equivalent	100 W

Starting Time (Nom)	0.5 s
Warm Up Time to 60% Light (Nom)	0.5 s
Power Factor (Nom)	0.7
Voltage (Nom)	12 V
Temperature	
T-Case Maximum (Nom)	80 °C
Controls and Dimming	
Dimmable	Yes
Mechanical and Housing	
Bulb Shape	AR111
Approval and Application	
Suitable For Accent Lighting	Yes
Energy Consumption kWh/1000 h	- kWh
Product Data	
Order product name	20AR111/LED/830/F25 DIM 12V FB 1PK 6/1
EAN/UPC - Product	046677458577
Order code	458570
Numerator - Quantity Per Pack	1
Numerator - Packs per outer box	6

LED AR111

Material Nr. (12NC)	929001170904
Net Weight (Piece)	0.160 kg

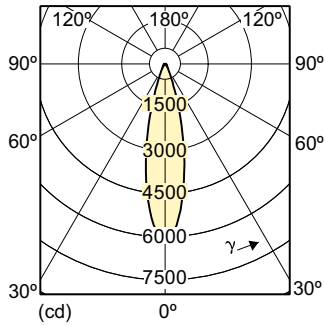
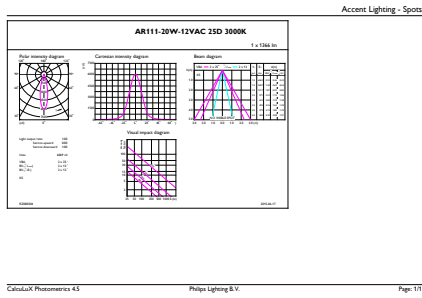
Dimensional drawing



MAS LEDspot LV D 20-100W 830 AR111 24D

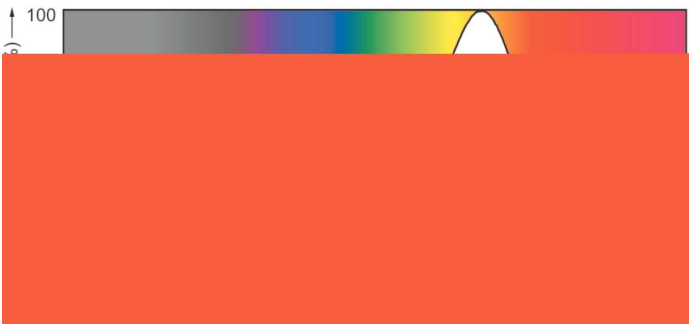
Product	D	C
20AR111/LED/830/F25 DIM 12V FB 1PK 6/1	111 mm	62 mm

Photometric data



LEDspot, LEDspotLV 20-100W AR111 830 24D

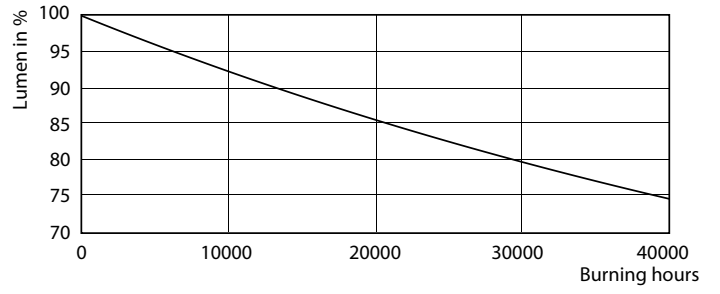
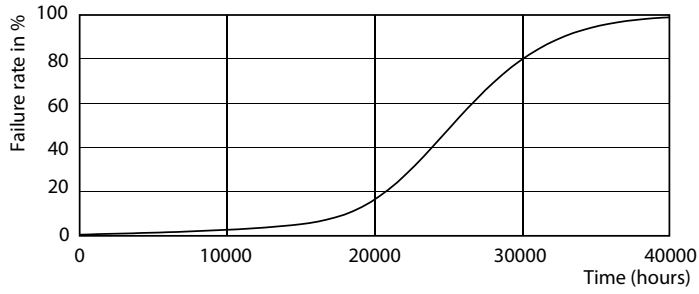
LEDspot, LEDspotLV 20-100W AR111 830 24D



SDPO_LEDspotL_0023-Spectral Power distribution

LED AR111

Lifetime



MASTER LEDspotLV AR111 100W G53 40D

MASTER LEDspotLV AR111 100W G53 40D

