



MASTER LEDspot LV AR111

MAS LEDspotLV D 20-100W 830 AR111 24D

Delivering a warm, halogen-like accent beam, MASTER LEDspot LV AR111 is an ideal retrofit solution for spot and general lighting applications in the hospitality and retail industry. It is particularly suitable for general lighting where the light is on all the time, such as creative accent lighting applications in shops, restaurants, hotels, and especially for galleries, exhibitions and museums. The robustly designed MASTER LEDspot LV AR111 offers various beam angles for a clearly defined beam spread. There is no UV or IR in the beam, making it suitable for illuminating heat-sensitive objects (food, organic materials, paintings, etc.). The patented intelligent driver enables broad compatibility with existing electromagnetic and electronic halogen transformers. MASTER LEDspot LV AR111 delivers huge energy savings and minimises maintenance cost without any reduction in brightness.

Product data

General Information	
Cap base	G53 [G53]
Nominal lifetime (nom.)	25000 h
Switching cycle	50000X
Technical type	20-100W
Light Technical	
Colour Code	830 [CCT of 3,000 K]
Technical Beam Angle (Nom)	25 °
Light distribution	25D [Medium beam]
Lamp Luminous Flux 25°C EL (Nom)	1280 lm
Lamp Luminous Flux (Nom)	1280 lm
Luminous intensity (nom.)	5800 cd
Colour Designation	White (WH)

Rated beam angle	25 °
Colour Temperature, horizontal (Nom)	3000 K
Lamp Luminous Efficacy EM (Nom)	64 lm/W
Colour consistency	<6
Colour Rendering Index,horiz (Nom)	80
LLMF at end of nominal lifetime (nom.)	70 %
Operating and Electrical	
Power (Rated) (Nom)	20 W
Lamp current (nom.)	2400 mA
Wattage equivalent	100 W
Starting time (nom.)	0.5 s
Warm-up time to 60% light (nom.)	0.5 s
Power factor (nom.)	0.7

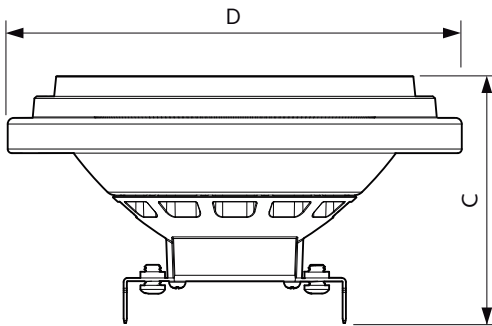
MASTER LEDspot LV AR111

Voltage (Nom)	12 V
Temperature	
T-Case maximum (nom.)	80 °C
Controls and Dimming	
Dimmable	Yes
Approval and Application	
Suitable for accent lighting	Yes
Energy Consumption kWh/1000 h	22 kWh

Product Data

Full product code	871869651737600
Order product name	MAS LEDspotLV D 20-100W 830 AR111 24D
EAN/UPC – product	8718696517376
Order code	929001170908
Local Code	20WAR111WW24D83
Numerator – quantity per pack	1
Numerator – packs per outer box	6
Material no. (12NC)	929001170908
Net weight (piece)	0.360 kg

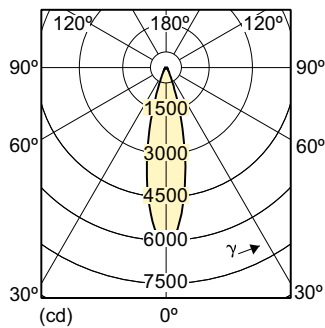
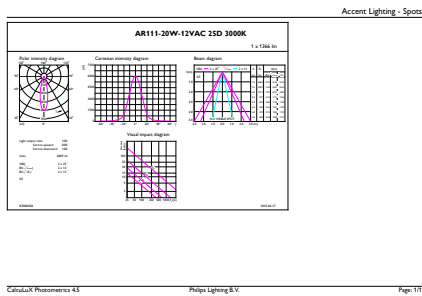
Dimensional drawing



MAS LEDspot LV D 20-100W 830 AR111 24D

Product	D	C
MAS LEDspotLV D 20-100W 830 AR111 24D	111 mm	62 mm

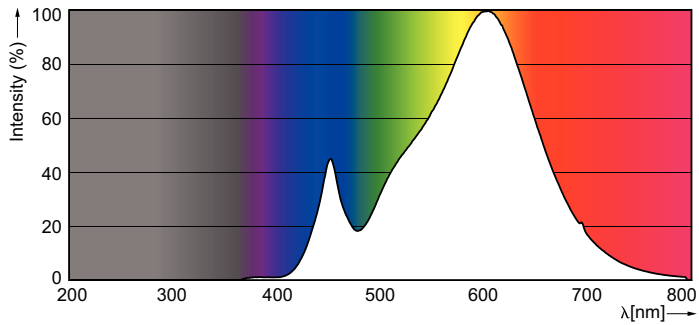
Photometric data



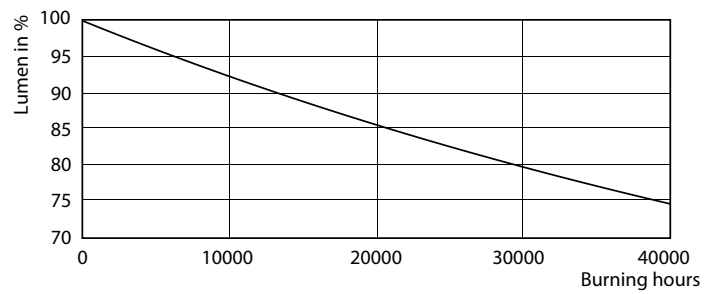
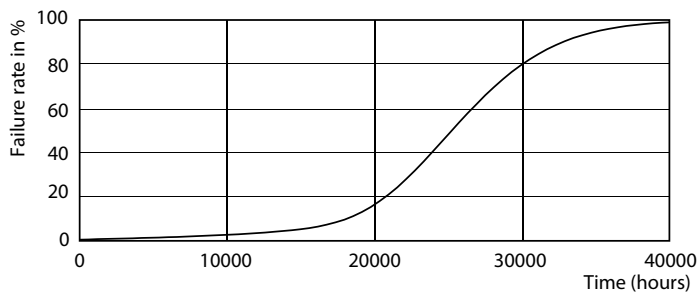
LEDspot, LEDspotLV 20-100W AR111 830 24D

MASTER LEDspot LV AR111

Photometric data



Lifetime



MASTER LEDspotLV AR111 100W G53 40D

MASTER LEDspotLV AR111 100W G53 40D

