



MASTER LEDspot LV AR111

MAS LEDspotLV D 20-100W 830 AR111 24D

With its new perfect-fit design, the Master LEDspot LV AR111 now works with most of G53 luminaires as a true retrofit solution. The lamp creates a brilliant visual effect for retail and hospitality applications such as shops, showrooms and galleries. The high quality light brings out the true colors in merchandise and emphasizes its beauty. It also lasts long, with a strong lumen and color maintenance. The beautifully designed lamp offers a well-defined beam with a multitude of beam angles to suit various applications. Not only does it employ the Philips patented solution to ensure it is compatible with a broad selection of standard 12V halogen electronic transformers, it also delivers high beam intensity which equivalent to halogen AR111 spots of 50W, 75W or 100W.

Product data

General Information		Color Consistency	
Cap-Base	G53 [G53]	Color rendering index (CRI)	<6
Nominal lifetime	25,000 hour(s)	LLMF At End Of Nominal Lifetime (Nom)	80
Switching Cycle	50,000		70 %
Lighting Technology	LED	Operating and Electrical	
EU RoHS compliant	Yes	Line Frequency	- Hz
		Input Frequency	- Hz
		Power Consumption	20 W
		Lamp Current (Nom)	2,400 mA
		Wattage Equivalent	100 W
		Starting Time (Nom)	0.5 s
		Warm-up time to 60% light	0.5 s
		Power Factor (Fraction)	0.7
		Voltage (Nom)	12 V
Light Technical			
Color Code	830 [CCT of 3000K]		
Beam Angle (Nom)	25 degree(s)		
Luminous Flux	1,280 lm		
Luminous Intensity (Nom)	5,800 cd		
Color Designation	White (WH)		
Correlated Color Temperature (Nom)	3000 K		
Luminous Efficacy (rated) (Nom)	64 lm/W		

MASTER LEDspot LV AR111

Temperature

T-Case Maximum (Nom)	80 °C
----------------------	-------

Controls and Dimming

Dimmable	Yes
----------	-----

Mechanical and Housing

Bulb Shape	AR111
------------	-------

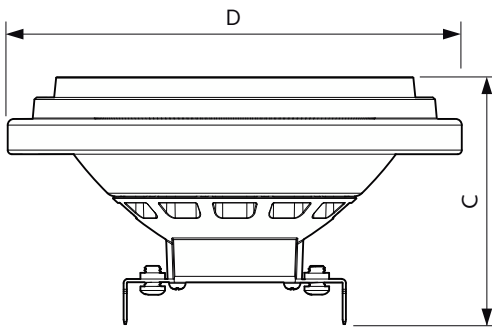
Approval and Application

Suitable For Accent Lighting	Yes
Energy Consumption kWh/1000 h	22 kWh

Product Data

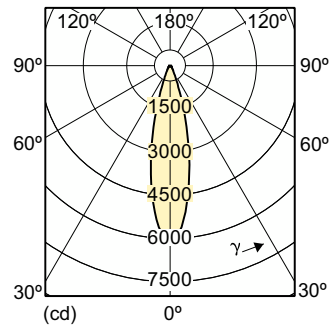
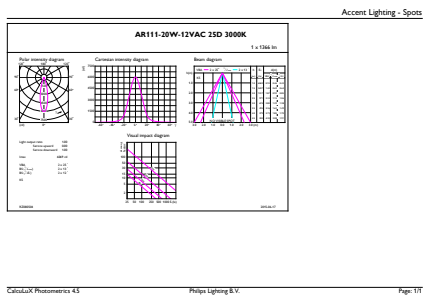
Order product name	MAS LEDspotLV D 20-100W 830 AR111 24D
Full product name	MAS LEDspotLV D 20-100W 830 AR111 24D
Full product code	871869651737600
Order code	929001170908
Material Nr. (12NC)	929001170908
Numerator - Quantity Per Pack	1
EAN/UPC - Product/Case	8718696517376
Numerator - Packs per outer box	6
EAN/UPC - Case	8718696517383

Dimensional drawing



Product	D	C
MAS LEDspotLV D 20-100W 830 AR111 24D	111 mm	62 mm

Photometric data

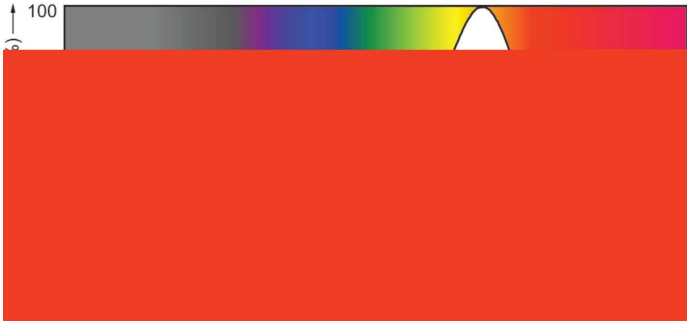


General uniform lighting - MAS LEDspotLV D 20-100W 830 AR111 24D

Light Distribution Diagram - MAS LEDspotLV D 20-100W 830 AR111 24D

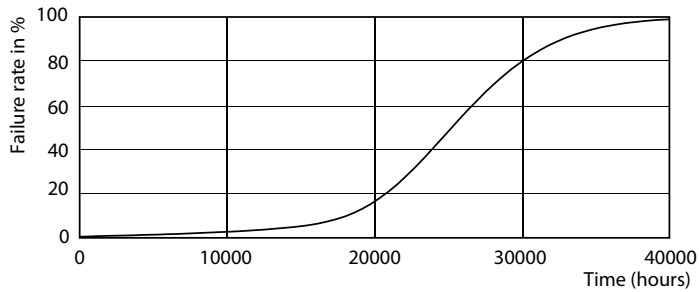
MASTER LEDspot LV AR111

Photometric data

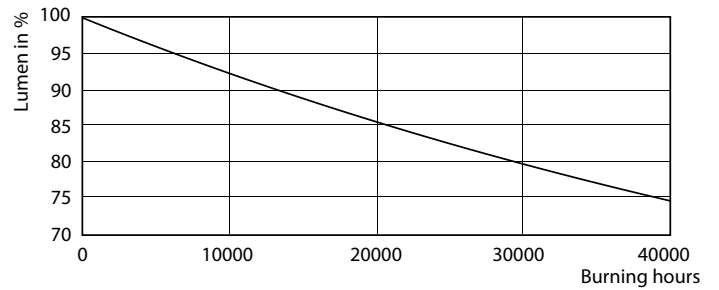


Spectral Power Distribution Colour - MAS LEDspotLV D 20-100W 830 AR111 24D

Lifetime



Life Expectancy Diagram - MAS LEDspotLV D 20-100W 830 AR111 24D



Lumen Maintenance Diagram - MAS LEDspotLV D 20-100W 830 AR111 24D

