



# MASTER LEDspot LV AR111

## MAS LEDspotLV D 20-100W 840 AR111 24D

Delivering a warm, halogen-like accent beam, MASTER LEDspot LV AR111 is an ideal retrofit solution for spot and general lighting applications in the hospitality and retail industry. It is particularly suitable for general lighting where the light is on all the time, such as creative accent lighting applications in shops, restaurants, hotels, and especially for galleries, exhibitions and museums. The robustly designed MASTER LEDspot LV AR111 offers various beam angles for a clearly defined beam spread. There is no UV or IR in the beam, making it suitable for illuminating heat-sensitive objects (food, organic materials, paintings, etc.). The patented intelligent driver enables broad compatibility with existing electromagnetic and electronic halogen transformers. MASTER LEDspot LV AR111 delivers huge energy savings and minimizes maintenance cost without any reduction in brightness.

### Product data

General Information		Luminous efficacy (rated) (nom.)	
Cap base	G53 [ G53]		70.00 lm/W
EU RoHS compliant	Yes	Colour consistency	<6
Nominal lifetime (nom.)	25000 h	Colour rendering index (nom.)	80
Switching cycle	50,000X	LLMF at end of nominal lifetime (nom.)	70 %
Technical type	20-100W	Operating and Electrical	
Light Technical		Input frequency	- Hz
Colour Code	841 [ CCT of 4100K (841)]	Power (Rated) (Nom)	20 W
Beam Angle (Nom)	24 °	Lamp current (nom.)	2400 mA
Luminous flux (nom.)	1400 lm	Wattage equivalent	100 W
Luminous intensity (nom.)	6100 cd	Warm-up time to 60% light (nom.)	0.5 s
Colour designation	Cool White (CW)	Power factor (nom.)	0.7
Correlated Colour Temperature (Nom)	4000 K	Voltage (Nom)	12 V

# MASTER LEDspot LV AR111

## Temperature

T-Case maximum (nom.)	80 °C
-----------------------	-------

## Controls and Dimming

Dimmable	Yes
----------	-----

## Mechanical and Housing

Bulb shape	AR111
------------	-------

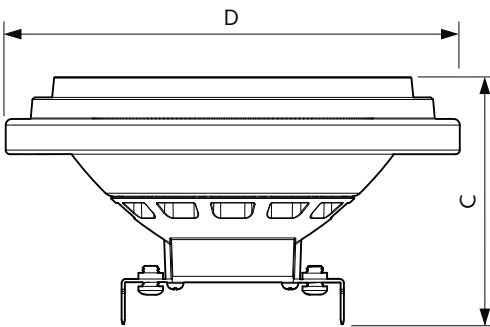
## Approval and Application

Suitable for accent lighting	Yes
Energy consumption kWh/1,000 hours	22 kWh

## Product Data

Full product code	871869651739000
Order product name	MAS LEDspotLV D 20-100W 840 AR111 24D
EAN/UPC – product	8718696517390
Order code	51739000
SAP numerator – quantity per pack	1
Numerator – packs per outer box	6
SAP material	929001171008
SAP net weight (piece)	0.360 kg

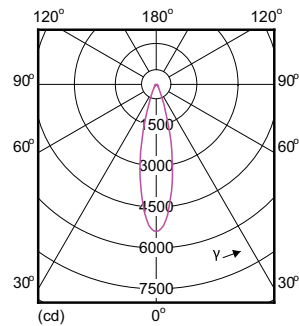
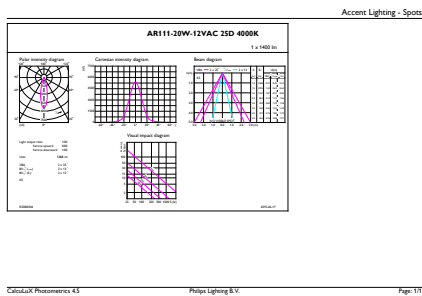
## Dimensional drawing



MAS LEDspotLV D 20-100W 840 AR111 24D

Product	D	C
MAS LEDspotLV D 20-100W 840 AR111 24D	111 mm	62 mm

## Photometric data

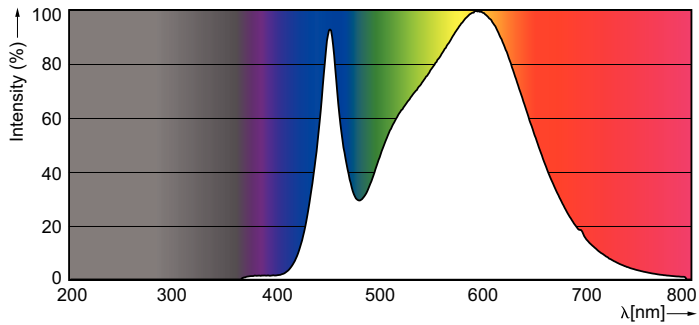


MASTER LEDspotLV 20-100W AR111 G53\_4000K 1400lm 24D

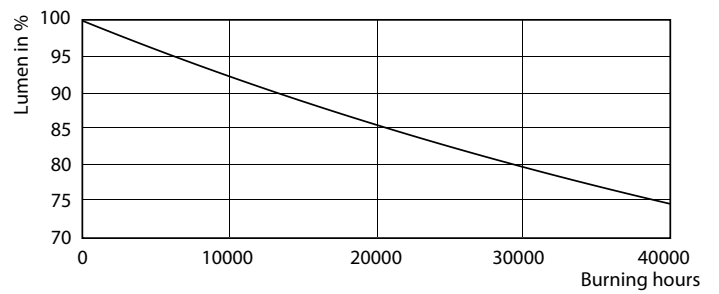
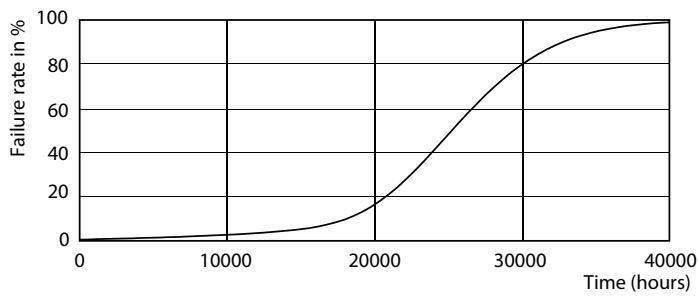
MASTER LEDspotLV 20-100W AR111 G53\_4000K 1400lm 24D

# MASTER LEDspot LV AR111

## Photometric data



## Lifetime



MASTER LEDspotLV AR111 100W G53 40D

MASTER LEDspotLV AR111 100W G53 40D

