



MASTER LEDspot LV AR111

MAS LEDspotLV D 20-100W 840 AR111 24D

Delivering a warm, halogen-like accent beam, MASTER LEDspot LV AR111 is an ideal retrofit solution for spot and general lighting applications in the hospitality and retail industry. It is particularly suitable for general lighting where the light is on all the time, such as creative accent lighting applications in shops, restaurants, hotels, and especially for galleries, exhibitions and museums. The robustly designed MASTER LEDspot LV AR111 offers various beam angles for a clearly defined beam spread. There is no UV or IR in the beam, making it suitable for illuminating heat-sensitive objects (food, organic materials, paintings, etc.). The patented intelligent driver enables broad compatibility with existing electromagnetic and electronic halogen transformers. MASTER LEDspot LV AR111 delivers huge energy savings and minimises maintenance cost without any reduction in brightness.

Product data

| General Information | |
|-------------------------|------------|
| Cap base | G53 [G53] |
| Nominal lifetime (nom.) | 25000 h |
| Switching cycle | 50000X |
| Technical type | 20-100W |

| Light Technical | |
|----------------------------------|-----------------------|
| Colour Code | 840 [CCT of 4,000 K] |
| Technical Beam Angle (Nom) | 24° |
| Lamp Luminous Flux 25°C EL (Nom) | 1400 lm |
| Lamp Luminous Flux (Nom) | 1400 lm |
| Luminous intensity (nom.) | 6100 cd |
| Colour Designation | Cool White (CW) |
| Rated beam angle | 24° |

| | |
|--|------------|
| Colour Temperature, horizontal (Nom) | 4000 K |
| Lamp Luminous Efficacy EM (Nom) | 70.00 lm/W |
| Colour consistency | <6 |
| Colour Rendering Index,horiz (Nom) | 80 |
| LLMF at end of nominal lifetime (nom.) | 70 % |

| Operating and Electrical | |
|----------------------------------|---------|
| Power (Rated) (Nom) | 20 W |
| Lamp current (nom.) | 2400 mA |
| Wattage equivalent | 100 W |
| Warm-up time to 60% light (nom.) | 0.5 s |
| Power factor (nom.) | 0.7 |
| Voltage (Nom) | 12 V |

MASTER LEDspot LV AR111

Controls and Dimming

| | |
|----------|-----|
| Dimmable | Yes |
|----------|-----|

Approval and Application

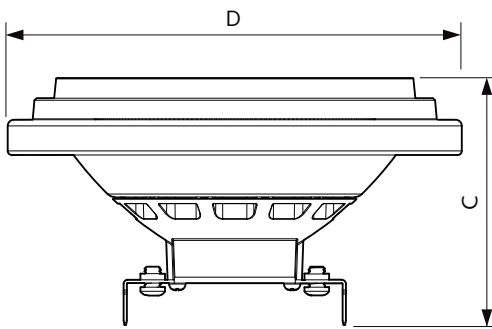
| | |
|-------------------------------|--------|
| Energy efficiency label (EEL) | A |
| Suitable for accent lighting | Yes |
| Energy Consumption kWh/1000 h | 22 kWh |

Product Data

| | |
|-------------------|-----------------|
| Full product code | 871869651739000 |
|-------------------|-----------------|

| | |
|---------------------------------|---------------------------------------|
| Order product name | MAS LEDspotLV D 20-100W 840 AR111 24D |
| EAN/UPC – product | 8718696517390 |
| Order code | 929001171008 |
| Numerator – quantity per pack | 1 |
| Numerator – packs per outer box | 6 |
| Material no. (12NC) | 929001171008 |
| Net weight (piece) | 0.360 kg |

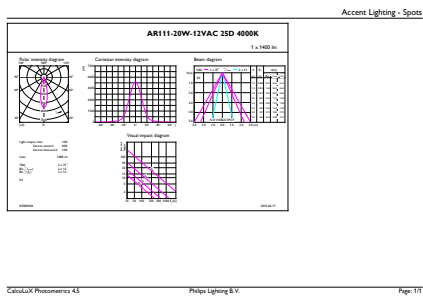
Dimensional drawing



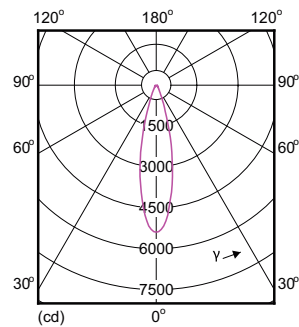
MAS LEDspot LV D 20-100W 840 AR111 24D

| Product | D | C |
|---------------------------------------|--------|-------|
| MAS LEDspotLV D 20-100W 840 AR111 24D | 111 mm | 62 mm |

Photometric data



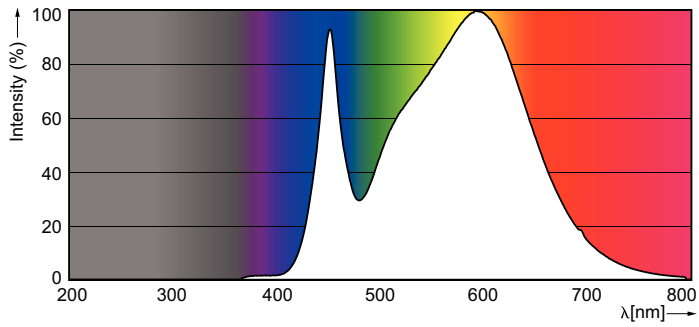
MASTER LEDspotLV 20-100W AR111 G53_4000K 1400lm 24D



MASTER LEDspotLV 20-100W AR111 G53_4000K 1400lm 24D

MASTER LEDspot LV AR111

Photometric data



Lifetime



MASTER LEDspotLV AR111 100W G53 40D

MASTER LEDspotLV AR111 100W G53 40D

