



MASTER LEDspot LV AR111

MAS LEDspotLV D 20-100W 840 AR111 24D

Delivering a warm, halogen-like accent beam, MASTER LEDspot LV AR111 is an ideal retrofit solution for spot and general lighting applications in the hospitality and retail industry. It is particularly suitable for general lighting where the light is on all the time, such as creative accent lighting applications in shops, restaurants, hotels, and especially for galleries, exhibitions and museums. The robustly designed MASTER LEDspot LV AR111 offers various beam angles for a clearly defined beam spread. There is no UV or IR in the beam, making it suitable for illuminating heat-sensitive objects (food, organic materials, paintings, etc.). The patented intelligent driver enables broad compatibility with existing electromagnetic and electronic halogen transformers. MASTER LEDspot LV AR111 delivers huge energy savings and minimizes maintenance cost without any reduction in brightness.

Product data

General Information	
Cap-Base	G53 [G53]
Nominal lifetime	25,000 hour(s)
Switching Cycle	50,000
Lighting Technology	LED
EU RoHS compliant	Yes
Light Technical	
Color Code	840 [CCT of 4000K]
Beam Angle (Nom)	24 degree(s)
Luminous Flux	1,400 lm
Luminous Intensity (Nom)	6,100 cd
Color Designation	Cool White (CW)
Correlated Color Temperature (Nom)	4000 K

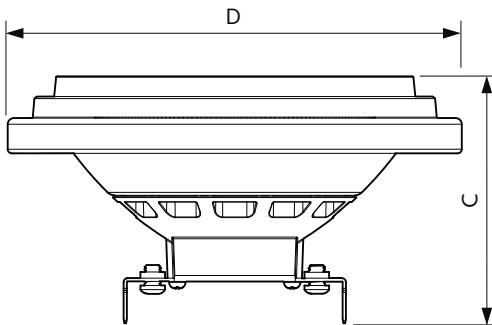
Luminous Efficacy (rated) (Nom)	70.00 lm/W
Color Consistency	<6
Color rendering index (CRI)	80
LLMF At End Of Nominal Lifetime (Nom)	70 %
Operating and Electrical	
Line Frequency	- Hz
Input Frequency	- Hz
Power Consumption	20 W
Lamp Current (Nom)	2,400 mA
Wattage Equivalent	100 W
Warm-up time to 60% light	0.5 s
Power Factor (Fraction)	0.7

MASTER LEDspot LV AR111

Voltage (Nom)	12 V
Temperature	
T-Case Maximum (Nom)	80 °C
Controls and Dimming	
Dimmable	Yes
Mechanical and Housing	
Bulb Shape	AR111
Approval and Application	
Suitable For Accent Lighting	Yes
Energy Consumption kWh/1000 h	22 kWh

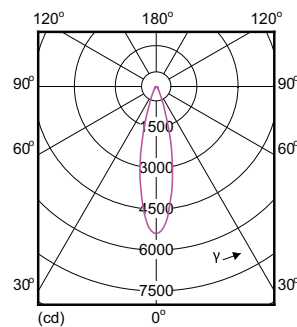
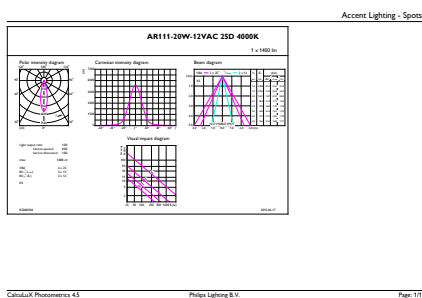
Product Data	
Order product name	MAS LEDspotLV D 20-100W 840 AR111 24D
Full product name	MAS LEDspotLV D 20-100W 840 AR111 24D
Full product code	871869651739000
Order code	929001171008
Material Nr. (12NC)	929001171008
Numerator - Quantity Per Pack	1
EAN/UPC - Product/Case	8718696517390
Numerator - Packs per outer box	6
EAN/UPC - Case	8718696517406

Dimensional drawing



Product	D	C
MAS LEDspotLV D 20-100W 840 AR111 24D	111 mm	62 mm

Photometric data

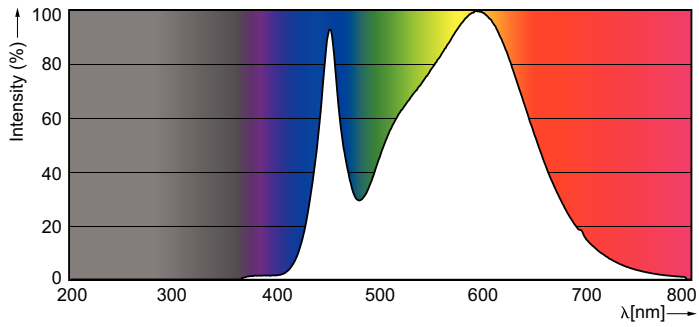


General uniform lighting - MAS LEDspotLV D 20-100W 840 AR111 24D

Light Distribution Diagram - MAS LEDspotLV D 20-100W 840 AR111 24D

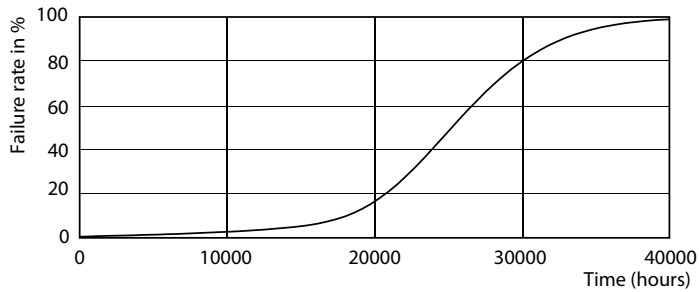
MASTER LEDspot LV AR111

Photometric data

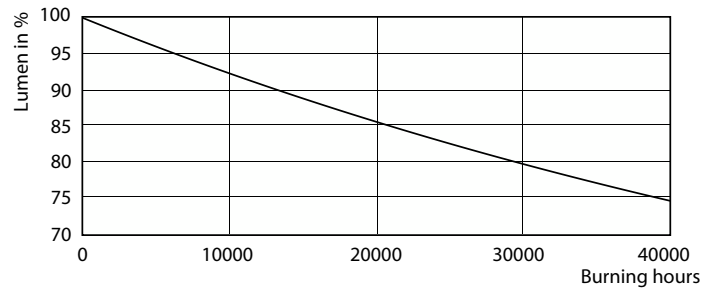


Spectral Power Distribution Colour - MAS LEDspotLV D 20-100W 840 AR111 24D

Lifetime



Life Expectancy Diagram - MAS LEDspotLV D 20-100W 840 AR111 24D



Lumen Maintenance Diagram - MAS LEDspotLV D 20-100W 840 AR111 24D

