



MASTER LEDspot LV AR111

MAS LEDspotLV D 20-100W 827 AR111 40D

Delivering a warm, halogen-like accent beam, MASTER LEDspot LV AR111 is an ideal retrofit solution for spot and general lighting applications in the hospitality and retail industry. It is particularly suitable for general lighting where the light is on all the time, such as creative accent lighting applications in shops, restaurants, hotels, and especially for galleries, exhibitions and museums. The robustly designed MASTER LEDspot LV AR111 offers various beam angles for a clearly defined beam spread. There is no UV or IR in the beam, making it suitable for illuminating heat-sensitive objects (food, organic materials, paintings, etc.). The patented intelligent driver enables broad compatibility with existing electromagnetic and electronic halogen transformers. MASTER LEDspot LV AR111 delivers huge energy savings and minimises maintenance cost without any reduction in brightness.

Product data

General Information	
Cap base	G53 [G53]
Nominal lifetime (nom.)	25000 h
Switching cycle	50000X
Technical type	20-100W
Light Technical	
Colour Code	827 [CCT of 2,700 K]
Beam Angle (Nom)	40 °
Lamp Luminous Flux 25°C EL (Nom)	1160 lm
Lamp Luminous Flux (Nom)	1160 lm
Luminous intensity (nom.)	2300 cd
Colour Designation	Warm white (WW)
Rated beam angle	40 °

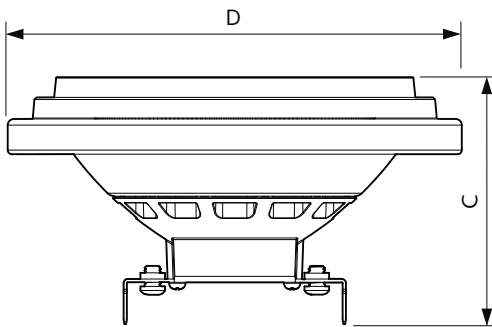
Colour Temperature, horizontal (Nom)	2700 K
Lamp Luminous Efficacy EM (Nom)	58.00 lm/W
Colour consistency	<3
Colour Rendering Index,horiz (Nom)	80
LLMF at end of nominal lifetime (nom.)	70 %
Luminous Flux in 90° Cone (Rated)	1160 lm
Operating and Electrical	
Power (Rated) (Nom)	20 W
Lamp current (nom.)	2400 mA
Starting time (nom.)	0.5 s
Warm-up time to 60% light (nom.)	0.5 s
Power factor (nom.)	0.7

MASTER LEDspot LV AR111

Voltage (Nom)	12 V
Temperature	
T-Case maximum (nom.)	80 °C
Controls and Dimming	
Dimmable	Yes
Approval and Application	
Energy efficiency label (EEL)	A
Suitable for accent lighting	Yes
Energy Consumption kWh/1000 h	22 kWh

Product Data	
Full product code	871869670745600
Order product name	MAS LEDspotLV D 20-100W 827 AR111 40D
EAN/UPC – product	8718696707456
Order code	929001171102
Numerator – quantity per pack	1
Numerator – packs per outer box	6
Material no. (12NC)	929001171102
Net weight (piece)	0.160 kg

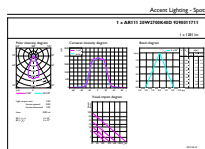
Dimensional drawing



MAS LEDspot LV D 20-100W 827 AR111 40D

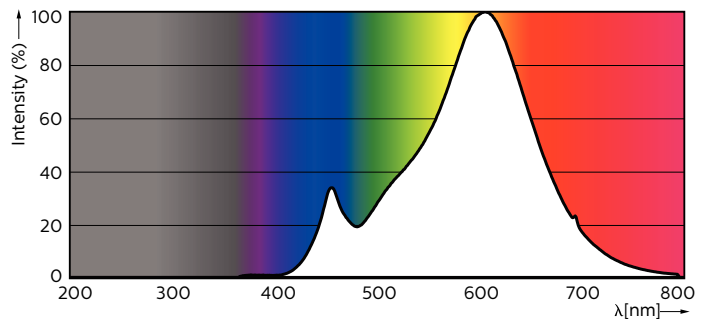
Product	D	C
MAS LEDspotLV D 20-100W 827 AR111 40D	111 mm	62 mm

Photometric data



General Parameters 41 Photo Lighting 811 Page 117

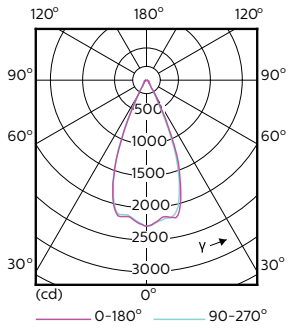
MASTER LEDspotLV 100W G53 827 40D



MASTER LEDspotLV AR111 100W G53 827 40D

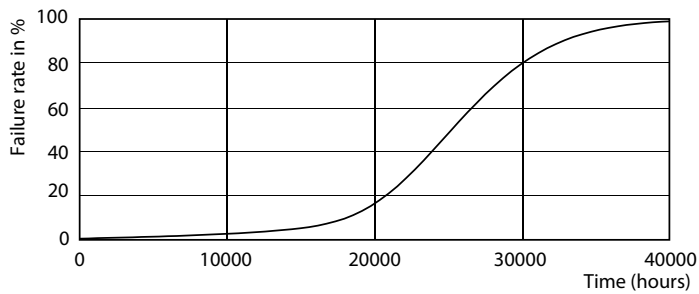
MASTER LEDspot LV AR111

Photometric data

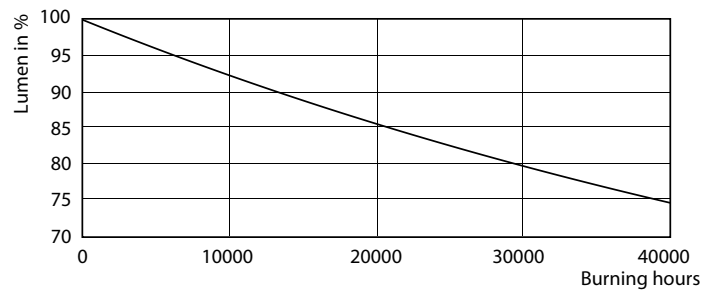


MASTER LEDspotLV AR111 100W G53 827 40D

Lifetime



MASTER LEDspotLV AR111 100W G53 40D



MASTER LEDspotLV AR111 100W G53 40D

