



# MASTER LEDtube EM/ Mains

## MAS LEDtube 1200mm 18W865 T8 I

The Philips MASTER LEDtube integrates a LED light source into a traditional fluorescent form factor. Its unique design creates a perfectly uniform visual appearance which cannot be distinguished from traditional fluorescent. For those that are looking for value for money within limited budget and re-lamping efforts for better light effect and lifetime.

### Product data

General Information	
Cap base	G13 [ Medium Bi-Pin Fluorescent]
Main application	Industrial
Nominal lifetime (nom.)	40000 h
Switching cycle	50000X
B50L70	40000 h

Light Technical	
Colour code	865 [ CCT of 6,500 K]
Beam Angle (Nom)	160 °
Luminous flux (nom.)	2100 lm
Luminous flux (rated) (nom.)	2100 lm
Rated beam angle	160 °
Correlated colour temperature (nom.)	6500 K
Colour consistency	<6
Color rendering index (nom.)	83
LLMF at end of nominal lifetime (nom.)	70 %

Operating and Electrical	
Input frequency	50 to 60 Hz

Power (Rated) (Nom)	18 W
Lamp current (nom.)	78 mA
Starting time (nom.)	0.5 s
Warm-up time to 60% light (nom.)	instant full light s
Power factor (nom.)	0.9
Voltage (Nom)	220-240 V

Temperature	
T ambient (max.)	45 °C
T ambient (min.)	-20 °C
T storage (max.)	65 °C
T storage (min.)	-40 °C
T-Case maximum (nom.)	60 °C

Controls and Dimming	
Dimmable	No

Mechanical and Housing	
Product length	1200 mm

# MASTER LEDtube EM/Mains

## Approval and Application

Energy efficiency label (EEL)	A+
Energy-saving product	Yes
Suitable for accent lighting	No
Approval marks	CE marking RoHS compliance KEMA Keur certificate
Energy Consumption kWh/1000 h	18 kWh

## Product Data

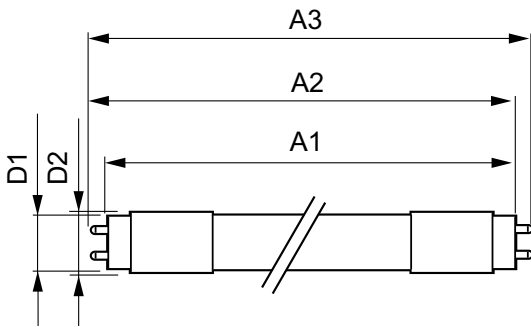
Full product code	871869651120600
-------------------	-----------------

Order product name	MAS LEDtube 1200mm 18W865 T8 I
EAN/UPC – product	8718696511206
Order code	51120600
Numerator – quantity per pack	1
Numerator – packs per outer box	10
Material no. (12NC)	929001178708
Net weight (piece)	0.251 kg

## Warnings and Safety

· ·

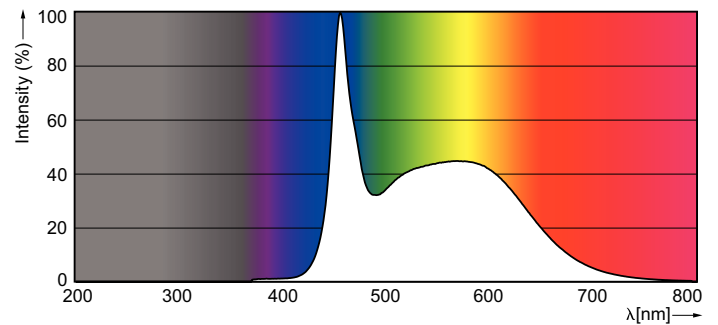
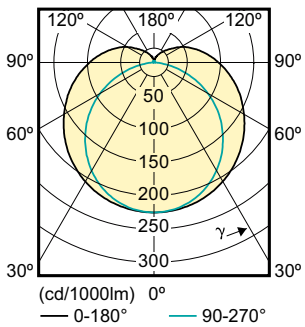
## Dimensional drawing



LEDtube 1200mm 18W/865 T8 I

Product	D1	D2	A1	A2	A3
MAS LEDtube 1200mm 18W865 T8 I	25.68 mm	28 mm	1198.0 mm	1205.0 mm	1212.0 mm

## Photometric data



## MASTER LEDtube EM/Mains

