



Classic filament LEDbulbs

CLA LEDBulb ND 7.5-60W E27 WW A60 CL

Featuring a classic heritage design, Classic filament LEDbulbs combine the familiar shapes of classic incandescent bulbs with the benefits of the long lasting LED technology. They deliver beautiful, decorative warm-white light while saving around 90% on energy costs compared with traditional light bulbs.

Product data

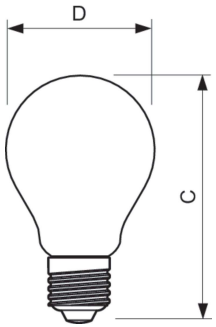
General Information		Power Consumption	
Cap-Base	E27 [E27]	Lamp Current (Nom)	68 mA
Nominal lifetime	15,000 hour(s)	Wattage Equivalent	60 W
Switching Cycle	20,000	Starting Time (Nom)	0.5 s
Lighting Technology	LED	Warm-up time to 60% light	instant full light s
EU RoHS compliant	Yes	Power Factor (Fraction)	0.5
		Voltage (Nom)	220-240 V
Light Technical		Temperature	
Color Code	827 [CCT of 2700K]	T-Case Maximum (Nom)	65 °C
Luminous Flux	806 lm		
Color Designation	Warm White (WW)	Controls and Dimming	
Correlated Color Temperature (Nom)	2700 K	Dimmable	No
Luminous Efficacy (rated) (Nom)	107 lm/W		
Color Consistency	<6	Mechanical and Housing	
Color rendering index (CRI)	80	Bulb Finish	Clear
LLMF At End Of Nominal Lifetime (Nom)	70 %	Bulb Shape	A60 [A 60mm]
Operating and Electrical		Approval and Application	
Line Frequency	50 to 60 Hz	Suitable For Accent Lighting	No
Input Frequency	50 to 60 Hz		

Classic filament LEDbulbs

Energy Consumption kWh/1000 h	8 kWh
Product Data	
Order product name	CLA LEDBulb ND 7.5-60W E27 WW A60 CL
Full product name	CLA LEDBulb ND 7.5-60W E27 WW A60 CL
Full product code	871869651765900
Order code	929001180502

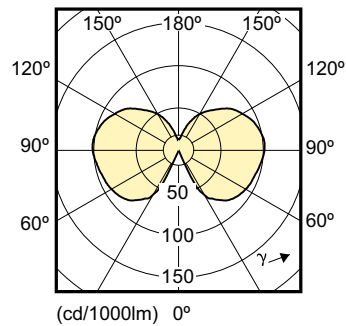
Material Nr. (12NC)	929001180502
Numerator - Quantity Per Pack	1
EAN/UPC - Product/Case	8718696517659
Numerator - Packs per outer box	10
EAN/UPC - Case	8718696517666

Dimensional drawing

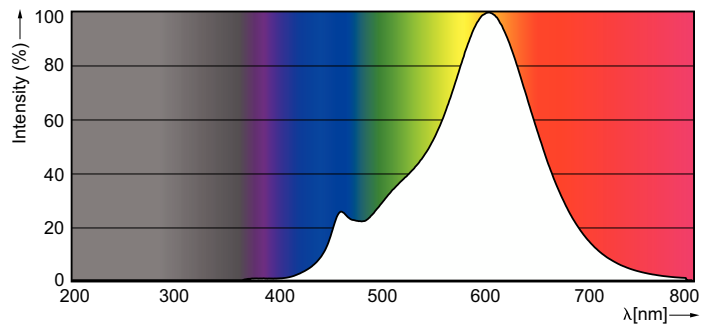


Product	D	C
CLA LEDBulb ND 7.5-60W E27 WW A60 CL	60 mm	104 mm

Photometric data



Light Distribution Diagram - CLA LEDBulb ND 7.5-60W E27 WW A60 CL



Spectral Power Distribution Colour - CLA LEDBulb ND 7.5-60W E27 WW A60 CL

