



MASTER LEDbulb

MASTER LEDbulb DT 15-100W A67 E27 827 FR

MASTER LEDbulb range delivers a dimmable glow effect for a welcoming, warm atmosphere, making it ideal for general lighting applications in the hospitality industry. Its unique design radiates warm light in all directions, making it a true alternative to the incandescent lamp. It is particularly suitable for public areas such as lobbies, corridors, stairwells, where the light is always on. Compatible with existing fixtures with an E27 or a B22 holder and designed for retrofit replacement of incandescent bulbs, MASTER LEDbulb delivers huge energy savings and minimises maintenance cost without any compromise on light quality.

Warnings and Safety

- Operating temperature range is between -20° C and 45° C ambient
- Only to apply in dry or damp locations and most of open fixtures with lamp-holders that offer sufficient space (10 mm free air space)
- Not intended for use with emergency light fixtures or exit lights

Product data

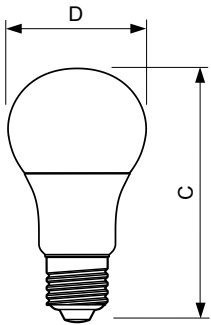
General Information		Colour rendering index (CRI)		80
Cap base	E27 [E27]	LLMF at end of nominal lifetime (nom.)		70 %
Nominal lifetime	25,000 h	Operating and Electrical		
Switching Cycle	50,000	Line Frequency	50 to 60 Hz	
Lighting Technology	LED	Input frequency	50 to 60 Hz	
EU RoHS compliant	Yes	Power Consumption	15 W	
Light Technical		Lamp current (nom.)	84 mA	
Colour Code	822-827 [tunable warm white]	Wattage equivalent	100 W	
Luminous Flux	1,521 lm	Starting time (nom.)	0.5 s	
Colour designation	Warm White (WW)	Warm-up time to 60% light	0.5 s	
Luminous efficacy (rated) (nom.)	101 lm/W	Power Factor (Fraction)	0.7	
Colour consistency	<6			

MASTER LEDbulb

Voltage (nom.)	220-240 V
Temperature	
T-Case maximum (nom.)	105 °C
Controls and Dimming	
Dimmable	Yes
Mechanical and Housing	
Bulb shape	A67 [A 67 mm]
Approval and Application	
Energy-saving product	Yes
Suitable for accent lighting	No

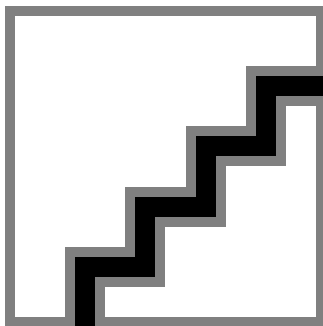
Energy consumption kWh/1,000 hours	15 kWh
Product Data	
Order product name	MAS LEDbulb DT 15-100W A67 E27 827 FR
Full product name	MASTER LEDbulb DT 15-100W A67 E27 827 FR
Full EOC	87186965555200
Order code	5555200
Material no. (12 NC)	929001184402
SAP numerator – quantity per pack	1
EAN/UPC – Product/Case	8718696555552
Numerator – packs per outer box	6
EAN/UPC - Case	8718696555569

Dimensional drawing

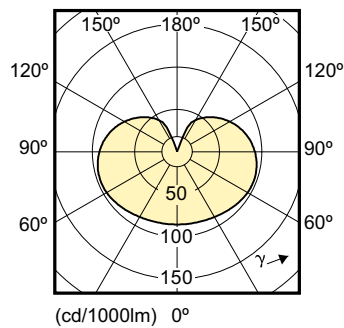


Product	D	C
MAS LEDbulb DT 15-100W A67 E27 827 FR	70.6 mm	137.2 mm

Photometric data



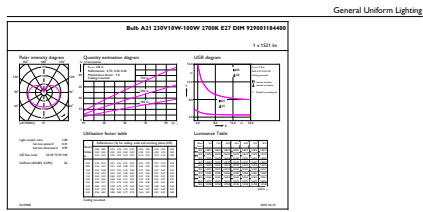
Spectral Power Distribution Colour - MAS LEDbulb DT 15-100W A67 E27 827 FR



Light Distribution Diagram - MAS LEDbulb DT 15-100W A67 E27 827 FR

MASTER LEDbulb

Photometric data



General uniform lighting - MAS LEDbulb DT 15-100W A67 E27 827 FR

