



MASTER LEDbulb

MAS LEDbulb DT 15-100W A67 E27 827 FR

MASTER LEDbulb range delivers a dimmable glow effect for a welcoming, warm atmosphere, making it ideal for general lighting applications in the hospitality industry. Its unique design radiates warm light in all directions, making it a true alternative to the incandescent lamp. It is particularly suitable for public areas such as lobbies, corridors, stairwells, where the light is always on. Compatible with existing fixtures with an E27 or a B22 holder and designed for retrofit replacement of incandescent bulbs, MASTER LEDbulb delivers huge energy savings and minimises maintenance cost without any compromise on light quality.

Product data

General Information	
Cap base	E27 [E27]
Main application	Industrial
Nominal lifetime (nom.)	25000 h
Switching cycle	50000X
Light Technical	
Colour Code	822-827 [tunable warm white]
Lamp Luminous Flux 25°C EL (Nom)	1521 lm
Lamp Luminous Flux (Nom)	1521 lm
Colour Designation	Warm white (WW)
Colour Temperature, horizontal (Nom)	2200-2700 K
Lamp Luminous Efficacy EM (Nom)	101 lm/W
Colour consistency	<6
Colour Rendering Index, horiz (Nom)	80
LLMF at end of nominal lifetime (nom.)	70 %
Operating and Electrical	
Input frequency	50 to 60 Hz

Power (Rated) (Nom)	15 W
Lamp current (nom.)	84 mA
Wattage equivalent	100 W
Starting time (nom.)	0.5 s
Warm-up time to 60% light (nom.)	0.5 s
Power factor (nom.)	0.7
Voltage (Nom)	220-240 V
Temperature	
T-Case maximum (nom.)	105 °C
Controls and Dimming	
Dimmable	Yes
Approval and Application	
Energy-saving product	Yes
Suitable for accent lighting	No
Energy Consumption kWh/1000 h	15 kWh

MASTER LEDbulb

Product Data

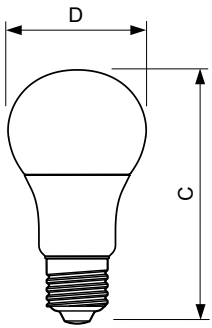
Full product code	87186965555200
Order product name	MAS LEDbulb DT 15-100W A67 E27 827 FR
EAN/UPC – product	8718696555552
Order code	929001184402
Numerator – quantity per pack	1

Numerator – packs per outer box	6
Material no. (12NC)	929001184402
Net weight (piece)	0.131 kg

Warnings and Safety

- Operating temperature range is between -20° C and 45° C ambient
- Only to apply in dry or damp locations and most of open fixtures with lamp-holders that offer sufficient space (10 mm free air space)
- Not intended for use with emergency light fixtures or exit lights

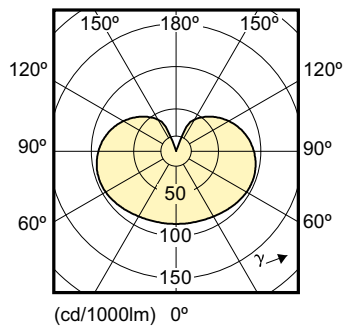
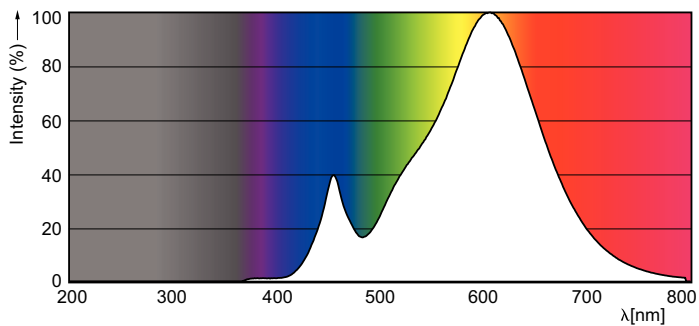
Dimensional drawing



Product	D	C
MAS LEDbulb DT 15-100W A67 E27 827 FR	70.6 mm	137.2 mm

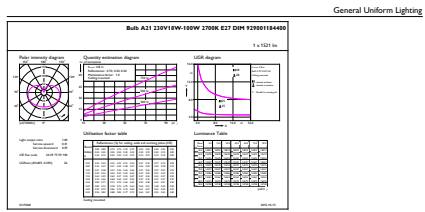
Bulb A21 230V18W-100W 152lm2700KE27D

Photometric data



MASTER LEDbulb

Photometric data



LEDbulb 100W A67 2700K

