



CorePro LEDlinear MV

CorePro LED linear R7S 118mm 6.5-60W 830

CorePro R7S is a retrofit replacement for traditional double-ended linear R7S lamps. Its 'light all around' design delivers light that is just like a halogen lamp. Within the range, you can choose dimmable products which have deep a dimming function that enables a cosy ambience when using a dimmable fixture.

Product data

General Information	
Cap base	R7S [R7s]
Nominal lifetime (nom.)	20000 h
Switching cycle	50000X
Technical type	6.5-60W

Light Technical	
Colour code	830 [CCT of 3,000 K]
Beam Angle (Nom)	300 °
Light distribution	- [-]
Luminous flux (nom.)	806 lm
Luminous flux (rated) (nom.)	806 lm
Colour designation	White (WH)
Rated beam angle	300 °
Correlated colour temperature (nom.)	3000 K
Colour consistency	<6
Color rendering index (nom.)	80
LLMF at end of nominal lifetime (nom.)	70 %

Operating and Electrical	
Input frequency	50 to 60 Hz
Power (Rated) (Nom)	6.5 W
Lamp current (nom.)	65 mA

Wattage equivalent	60 W
Starting time (nom.)	0.5 s
Warm-up time to 60% light (nom.)	0.5 s
Power factor (nom.)	0.5
Voltage (Nom)	220-240 V

Controls and Dimming	
Dimmable	no

Mechanical and Housing	
Bulb finish	Clear (CL)

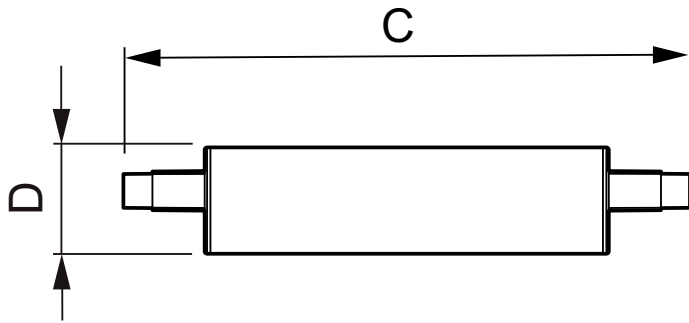
Approval and Application	
Energy efficiency label (EEL)	A++
Suitable for accent lighting	No
Energy Consumption kWh/1000 h	7 kWh

Product Data	
Full product code	871869652253000
Order product name	CorePro LED linear R7S 118mm 6.5-60W 830
EAN/UPC – product	8718696522530
Order code	52253000
Numerator – quantity per pack	1

CorePro LEDlinear MV

Numerator – packs per outer box	10
Material no. (12NC)	929001186102
Net weight (piece)	0.050 kg

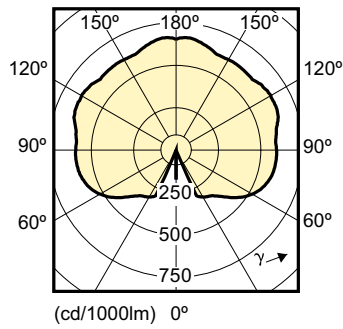
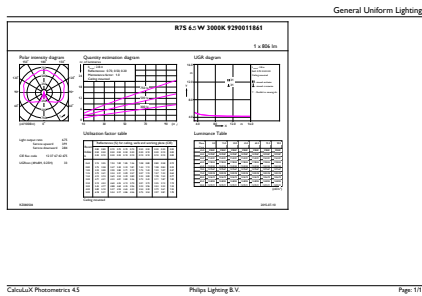
Dimensional drawing



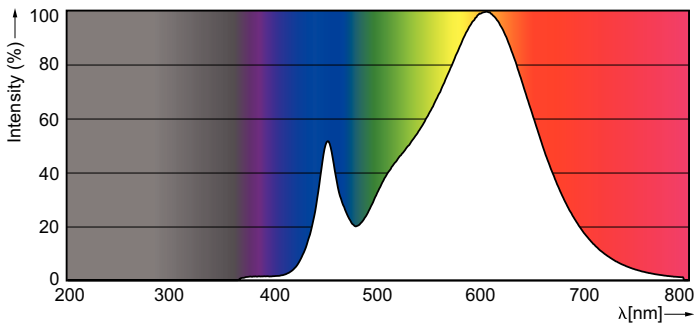
LED 6.5-60W 830 R7S

Product	D	C
CorePro LED linear R7S 118mm 6.5-60W 830	22.5 mm	118 mm

Photometric data



LEDspot 6.5W R7S Clear 3000K 300D



CorePro LEDlinear MV

