



MASTER LEDtube EM/ Mains

Master LEDTube 1200 mm 18W 840 T8 I W

The Philips MASTER LEDtube integrates a LED light source into a traditional fluorescent form factor. Its unique design creates a perfectly uniform visual appearance which cannot be distinguished from traditional fluorescent. This product is the ideal solution for up lighting in general lighting applications.

Product data

General Information	
Cap base	G13 [Medium Bi-Pin Fluorescent]
Main application	Industrial
Nominal lifetime (nom.)	40000 h
Switching cycle	50000X
B50L70	40000 h

Light Technical	
Colour Code	840 [CCT of 4,000 K]
Beam Angle (Nom)	160 °
Lamp Luminous Flux 25°C EL (Nom)	2100 lm
Lamp Luminous Flux (Nom)	2100 lm
Rated beam angle	160 °
Colour Temperature, horizontal (Nom)	4000 K
Colour consistency	<6
Colour Rendering Index,horiz (Nom)	82
LLMF at end of nominal lifetime (nom.)	70 %

Operating and Electrical	
Input frequency	50 to 60 Hz

Power (Rated) (Nom)	18 W
Lamp current (nom.)	74 mA
Starting time (nom.)	0.5 s
Warm-up time to 60% light (nom.)	instant full light s
Power factor (nom.)	0.92
Voltage (Nom)	100-240 V

Temperature	
T ambient (max.)	45 °C
T ambient (min.)	-20 °C
T storage (max.)	65 °C
T storage (min.)	-40 °C
T-Case maximum (nom.)	70 °C

Controls and Dimming	
Dimmable	no

Mechanical and Housing	
Product length	1200 mm

MASTER LEDtube EM/Mains

Approval and Application

Energy efficiency label (EEL)	A+
Energy-saving product	Yes
Suitable for accent lighting	No
Approval marks	CE marking RoHS compliance KEMA Keur certificate
Energy Consumption kWh/1000 h	18 kWh

Product Data

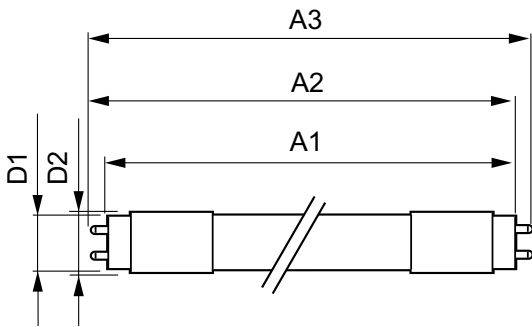
Full product code	871869652404600
-------------------	-----------------

Order product name	Master LEDTube 1200 mm 18W 840 T8 I W
EAN/UPC – product	8718696524046
Order code	929001187712
Numerator – quantity per pack	1
Numerator – packs per outer box	10
Material no. (12NC)	929001187712
Net weight (piece)	0.251 kg

Warnings and Safety

· ·

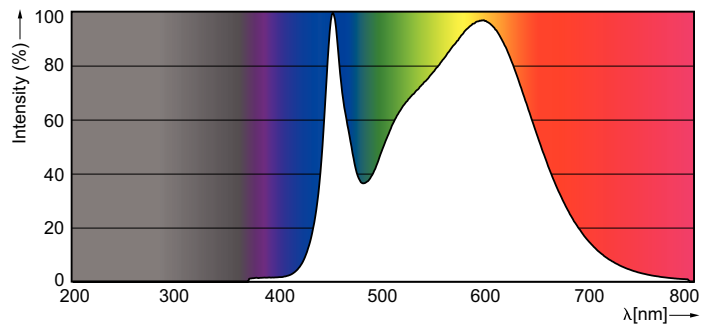
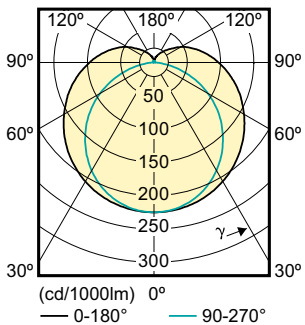
Dimensional drawing



LEDtube 1200mm 18W/840 T8 I W

Product	D1	D2	A1	A2	A3
Master LEDTube 1200 mm 18W 840 T8 I W	25.6 mm	27.8 mm	1198.1 mm	1205.2 mm	1212.3 mm

Photometric data



MASTER LEDtube EM/Mains

Lifetime

