

# MASTER LEDtube EM/ Mains

## Master LEDTube 600 mm 10W 840 T8 I W

The Philips MASTER LEDtube integrates a LED light source into a traditional fluorescent form factor. Its unique design creates a perfectly uniform visual appearance which cannot be distinguished from traditional fluorescent. This product is the ideal solution for up lighting in general lighting applications.

### Product data

General Information	
Cap base	G13 [ Medium Bi-Pin Fluorescent]
Main application	Industrial
Nominal lifetime (nom.)	40000 h
Switching cycle	50000X
B50L70	40000 h
Light Technical	
Colour Code	840 [ CCT of 4,000 K]
Beam Angle (Nom)	160 °
Lamp Luminous Flux 25°C EL (Nom)	1050 lm
Lamp Luminous Flux (Nom)	1050 lm
Rated beam angle	160 °
Colour Temperature, horizontal (Nom)	4000 K
Colour consistency	<6
Colour Rendering Index,horiz (Nom)	82
LLMF at end of nominal lifetime (nom.)	70 %
Operating and Electrical	
Input frequency	50 to 60 Hz

Power (Rated) (Nom)	10 W
Lamp current (nom.)	40 mA
Starting time (nom.)	0.5 s
Warm-up time to 60% light (nom.)	instant full light s
Power factor (nom.)	0.92
Voltage (Nom)	100-240 V
Temperature	
T ambient (max.)	45 °C
T ambient (min.)	-20 °C
T storage (max.)	65 °C
T storage (min.)	-40 °C
T-Case maximum (nom.)	70 °C
Controls and Dimming	
Dimmable	no
Mechanical and Housing	
Product length	600 mm

# MASTER LEDtube EM/Mains

## Approval and Application

Energy efficiency label (EEL)	A+
Energy-saving product	Yes
Suitable for accent lighting	No
Approval marks	CE marking RoHS compliance KEMA Keur certificate
Energy Consumption kWh/1000 h	10 kWh

## Product Data

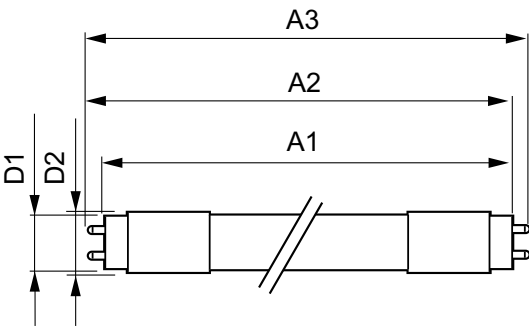
Full product code	871869652408400
-------------------	-----------------

Order product name	Master LEDTube 600 mm 10W 840 T8 I W
EAN/UPC – product	8718696524084
Order code	929001187912
Numerator – quantity per pack	1
Numerator – packs per outer box	10
Material no. (12NC)	929001187912
Net weight (piece)	0.134 kg

## Warnings and Safety

· ·

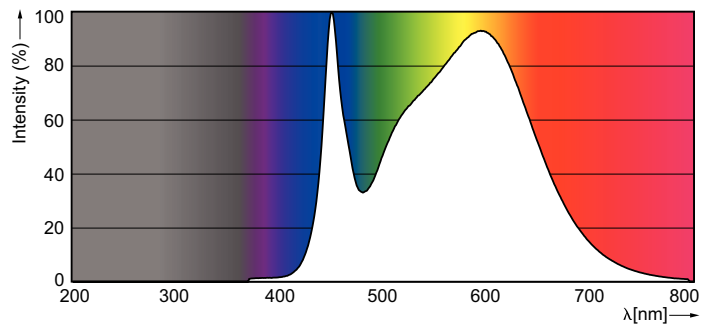
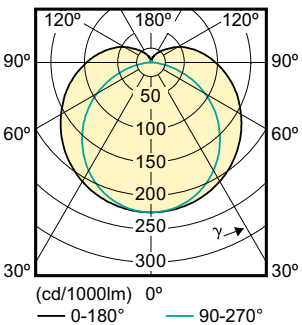
## Dimensional drawing



LEDtube 600mm 10W/840 T8 I W

Product	D1	D2	A1	A2	A3
Master LEDTube 600 mm 10W 840 T8 I W	25.6 mm	27.8 mm	588.6 mm	595.7 mm	602.8 mm

## Photometric data



## MASTER LEDtube EM/Mains

