

MASTER LEDtube EM/ Mains T8

Master LEDTube 600 mm 10W 865 T8 I W

The Philips MASTER LEDtube integrates a LED light source into a traditional fluorescent form factor. Its unique design creates a perfectly uniform visual appearance which cannot be distinguished from traditional fluorescent. For those that are looking for value for money within limited budget and re-lamping efforts for better light effect and lifetime.

Product data

General Information	
Cap-Base	G13 [Medium Bi-Pin Fluorescent]
Main Application	Industrial
Nominal Lifetime (Nom)	25000 h
Switching Cycle	50000X
B50L70	25000 h

Light Technical	
Color Code	865 [CCT of 6500K]
Beam Angle (Nom)	160 °
Luminous Flux (Nom)	1050 lm
Luminous Flux (Rated) (Nom)	1050 lm
Rated Beam Angle	160 °
Correlated Color Temperature (Nom)	6500 K
Color Consistency	<6
Color Rendering Index (Nom)	82
LLMF At End Of Nominal Lifetime (Nom)	70 %

Operating and Electrical	
Input Frequency	50 to 60 Hz

Power (Rated) (Nom)	10 W
Lamp Current (Max)	115 mA
Lamp Current (Min)	40 mA
Starting Time (Nom)	0.5 s
Warm Up Time to 60% Light (Nom)	instant full light s
Power Factor (Nom)	0.92
Voltage (Nom)	100-240 V

Temperature	
T-Ambient (Max)	45 °C
T-Ambient (Min)	-20 °C
T-Storage (Max)	65 °C
T-Storage (Min)	-40 °C
T-Case Maximum (Nom)	70 °C

Controls and Dimming	
Dimmable	No

MASTER LEDtube EM/Mains T8

Mechanical and Housing

Product Length 600 mm

Approval and Application

Energy Efficiency Label (EEL) A+

Energy Saving Product Yes

Suitable For Accent Lighting No

Approval Marks CE marking RoHS compliance KEMA Keur certificate

Energy Consumption kWh/1000 h 10 kWh

Product Data

Full product code 871869652410700

Order product name Master LEDTube 600 mm 10W 865 T8 I W

EAN/UPC - Product 8718696524107

Order code 929001188072

Numerator - Quantity Per Pack 1

Numerator - Packs per outer box 10

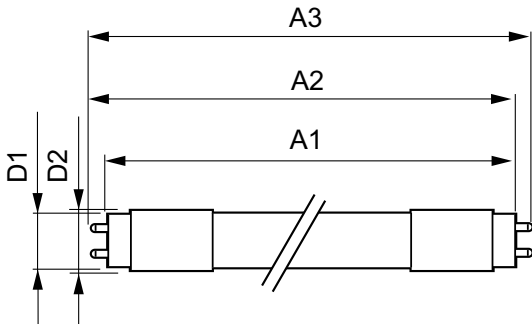
Material Nr. (12NC) 929001188072

Net Weight (Piece) 0.130 kg

Warnings and Safety

- NOTES: The overall energy efficiency and light distribution of any installation that uses these lamps are determined by the design of the installation.

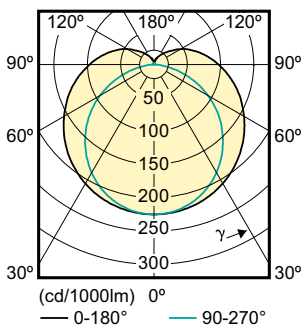
Dimensional drawing



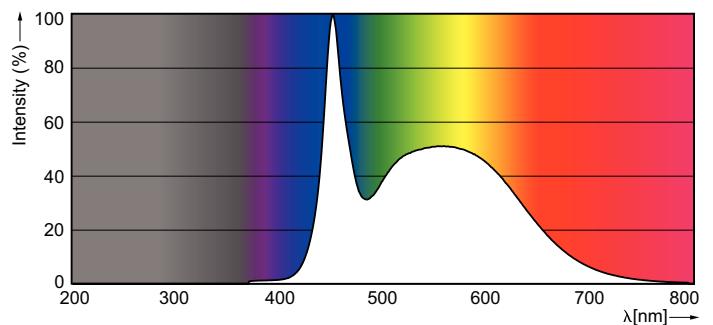
LEDtube 600mm 10W/865 T8 I W

Product	D1	D2	A1	A2	A3
Master LEDTube 600 mm 10W 865 T8 I W	25.6 mm	27.8 mm	588.6 mm	595.7 mm	602.8 mm

Photometric data



LEDtube 600mm 10 W T8 I W



LEDtube 600mm 10 W /865 T8 I W

MASTER LEDtube EM/Mains T8

