



# Standard LED bulbs

## Standard LEDBulb9-60W E27 6500K 100-240V A60 ND

Standard LED bulbs are compatible with existing fixtures with a E27 holder and are designed for retrofit replacement of incandescent, halogen and energy saving bulbs. They deliver huge energy savings and minimize maintenance costs. The Standard LED bulb is the perfect bulb for your basic lighting needs. It provides the beautiful light and performance you expect from the LED technology at an affordable price.

### Product data

General Information		Power Consumption	
Cap-Base	E27 [E27]	Power Consumption	9 W
Nominal lifetime	25,000 hour(s)	Starting Time (Nom)	0.5 s
Switching Cycle	50,000	Warm-up time to 60% light	instant full light s
Lighting Technology	LED	Power Factor (Fraction)	0.7
EU RoHS compliant	Yes	Voltage (Nom)	100-240 V
Light Technical		Temperature	
Color Code	865 [CCT of 6500K]	T-Case Maximum (Nom)	100 °C
Beam Angle (Nom)	150 degree(s)	Controls and Dimming	
Luminous Flux	806 lm	Dimmable	No
Color Designation	Cool White (CW)	Mechanical and Housing	
Correlated Color Temperature (Nom)	6500 K	Bulb Finish	Frosted
Luminous Efficacy (rated) (Nom)	92 lm/W	Bulb Shape	A60 [A 60mm]
Color Consistency	ANSI	Approval and Application	
Color rendering index (CRI)	80	Suitable For Accent Lighting	No
LLMF At End Of Nominal Lifetime (Nom)	70 %	Energy Consumption kWh/1000 h	9 kWh
Operating and Electrical			
Line Frequency	50 to 60 Hz		
Input Frequency	50 to 60 Hz		

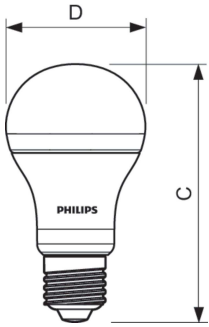
## Standard LED bulbs

### Product Data

Order product name	LEDBulb9-60W E27 6500K 100-240V A60 ND
Full product name	Standard LEDBulb9-60W E27 6500K 100-240V A60 ND
Full product code	871869652920100
Order code	52920100
Material Nr. (12NC)	929001195411

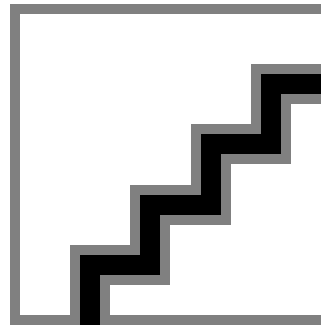
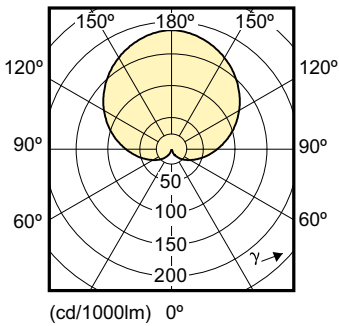
Numerator - Quantity Per Pack	1
EAN/UPC - Product/Case	8718696529201
Numerator - Packs per outer box	6
EAN/UPC - Case	8718696529218

### Dimensional drawing



Product	D	C
LEDBulb9-60W E27 6500K 100-240V A60 ND	60 mm	110 mm

### Photometric data



Light Distribution Diagram - LEDBulb9-60W E27 6500K 100-240V A60 ND

Spectral Power Distribution Colour - LEDBulb9-60W E27 6500K 100-240V A60 ND

