



MASTER LEDbulb

MASTER LEDbulb DT 15-100W A67 B22 827 FR

The MASTER LEDbulb range delivers a dimmable glow effect for a welcoming, warm atmosphere, making it ideal for general lighting applications in the hospitality industry. Its unique design radiates warm light in all directions, making it a true alternative to the incandescent lamp. They are particularly suitable for public areas such as lobbies, corridors, stairwells, where the light is always on. Compatible with existing fixtures with an E27 holder and designed for retrofit replacement of incandescent bulbs, MASTER LEDbulb delivers huge energy savings and minimizes maintenance cost without any compromise on light quality. They can be used together with most leading-edge dimmers, enabling further efficiencies while helping to create the desired atmosphere.

Warnings and Safety

- Operating temperature range is between -20° C and 45° C ambient
- Only to apply in dry or damp locations and most of open fixtures with lamp-holders that offer sufficient space (10 mm free air space)
- Not intended for use with emergency light fixtures or exit lights

Product data

General Information	
Cap base	B22 [B22]
EU RoHS compliant	Yes
Nominal lifetime (nom.)	25000 h
Switching cycle	50,000X
Light Technical	
Colour Code	822-827 [tunable warm white]
Luminous flux (nom.)	1521 lm
Colour designation	Warm White (WW)
Correlated Colour Temperature (Nom)	- K

Luminous efficacy (rated) (nom.)	101 lm/W
Colour consistency	<6
Colour rendering index (nom.)	80
LLMF at end of nominal lifetime (nom.)	70 %
Operating and Electrical	
Input frequency	50 to 60 Hz
Power (Rated) (Nom)	15 W
Lamp current (nom.)	84 mA
Wattage equivalent	100 W
Starting time (nom.)	0.5 s

MASTER LEDbulb

Warm-up time to 60% light (nom.)	0.5 s
Power factor (nom.)	0.7
Voltage (Nom)	220-240 V

Temperature

T-Case maximum (nom.)	105 °C
-----------------------	--------

Controls and Dimming

Dimmable	Yes
----------	-----

Approval and Application

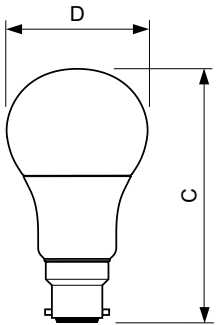
Energy efficiency label (EEL)	A+
Energy-saving product	Yes
Suitable for accent lighting	No

Energy consumption kWh/1,000 hours	15 kWh
------------------------------------	--------

Product Data

Full product code	871869655557600
Order product name	MASTER LEDbulb DT 15-100W A67 B22 827 FR
EAN/UPC – product	8718696555576
Order code	55557600
SAP numerator – quantity per pack	1
Numerator – packs per outer box	6
SAP material	929001200302
Net Weight (Piece)	0.131 kg

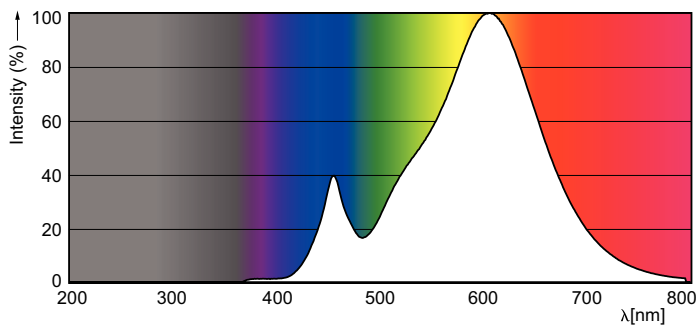
Dimensional drawing



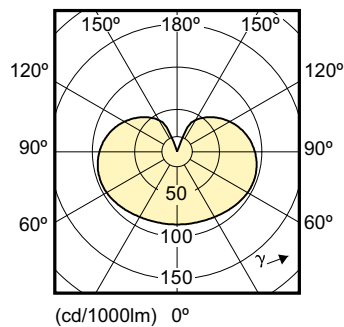
Bulb230V18W-100W 1521lm 300D 2700K B22 D

Product	D	C
MASTER LEDbulb DT 15-100W A67 B22 827 FR	70.6 mm	135.9 mm

Photometric data



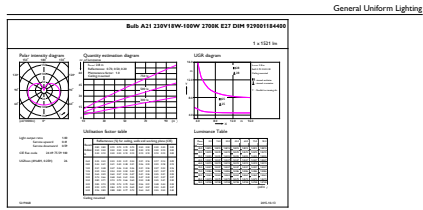
LEDbulb 100W A67 2700K



LEDbulb 75W, 100W A67 2700K

MASTER LEDbulb

Photometric data



LEDbulb 100W A67 2700K

