



CorePro LED PLC

CorePro LED PLC CorePro LED PLC 8.5W 840 2P G24d-3

Philips CorePro LED PLC is the ideal uplamping solution for downlights in a wide range of general lighting applications. It integrates a LED light source into a traditional fluorescent form factor to offer superb energy savings over a lifetime that's twice as long as fluorescent alternatives.

Product data

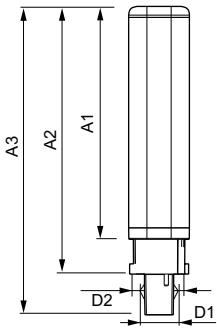
General Information		Power factor (nom.)	
Cap base	G24D-3 [G24d-3]		0.9
Nominal lifetime (nom.)	30000 h	Voltage (Nom)	220-240 V
Switching cycle	50000X	Temperature	
B50L70	30000 h	T ambient (max.)	35 °C
Light Technical		T ambient (min.)	-20 °C
Colour Code	840 [CCT of 4,000 K]	T storage (max.)	65 °C
Lamp Luminous Flux 25°C EL (Nom)	1000 lm	T storage (min.)	-40 °C
Lamp Luminous Flux (Nom)	1000 lm	T-Case maximum (nom.)	75 °C
Colour Temperature, horizontal (Nom)	4000 K	Controls and Dimming	
Colour consistency	<6	Dimmable	no
Colour Rendering Index, horiz (Nom)	83	Mechanical and Housing	
LLMF at end of nominal lifetime (nom.)	70 %	Product length	200 mm
Operating and Electrical		Approval and Application	
Input frequency	50 to 60 Hz	Energy efficiency label (EEL)	A+
Power (Rated) (Nom)	8.5 W	Energy-saving product	Yes
Lamp current (max.)	43 mA	Approval marks	CE marking RoHS compliance KEMA Keur certificate
Lamp current (min.)	33 mA		
Starting time (nom.)	0.5 s		
Warm-up time to 60% light (nom.)	0.5 s		

CorePro LED PLC

Energy Consumption kWh/1000 h	11 kWh
Product Data	
Full product code	871869654125800
Order product name	CorePro LED PLC CorePro LED PLC 8.5W 840 2P G24d-3
EAN/UPC – product	8718696541258

Order code	929001201302
Numerator – quantity per pack	1
Numerator – packs per outer box	10
Material no. (12NC)	929001201302
Net weight (piece)	0.090 kg

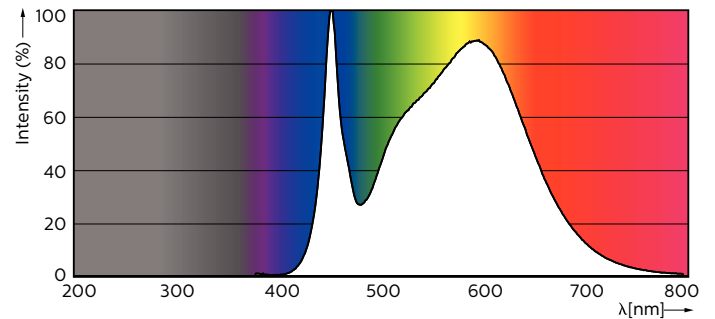
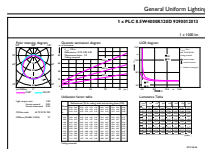
Dimensional drawing



LEDtube PLC 8.5W G24d-3/840 2P

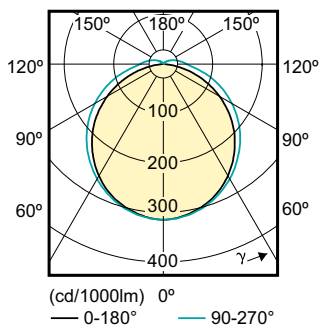
Product	D1	D2	A1	A2	A3
CorePro LED PLC CorePro LED PLC 8.5W 840 2P G24d-3	24.3 mm	28.4 mm	128.8 mm	148 mm	170.6 mm

Photometric data



LEDtube PLC 100mm 9W G24D-3 840 1000lm

LEDtube PLC 100mm 9W G24Q-3 840 1000lm



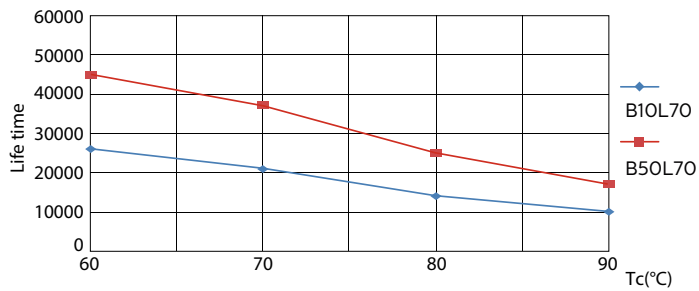
CorePro LED PLC

Lifetime



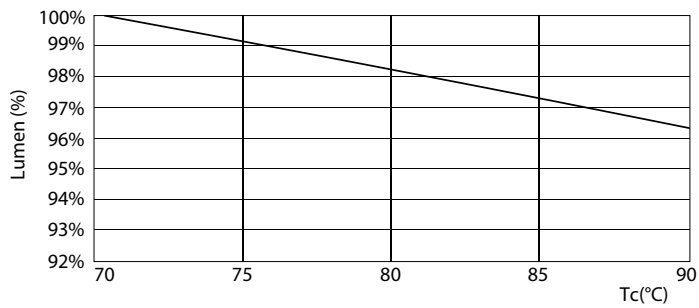
LEDtube PLC 100mm 9W G24D-3 830 950lm

LEDtube PLC 100mm 9W G24D-3 830 950lm



LEDtube PLC 100mm 9W G24D-3 830 950lm

LEDtube PLC 100mm 9W G24D-3 830 950lm



LEDtube PLC 100mm 9W G24D-3 830 950lm

CorePro LED PLC

