



CorePro LED PLC 2P

LED PLC 6.5W 840 2P G24d-2

CorePro LED PLC 2P integrates a LED light source into a traditional fluorescent form factor. This product is the ideal solution for uplampping in general lighting applications: it meets basic lighting requirements, offers significant energy savings, and is environmentally friendly.

Product data

General information	
Cap-Base	G24D-2 [G24d-2]
EU RoHS compliant	Yes
Nominal Lifetime (Nom)	30000 h
Switching Cycle	50000X
Light technical	
Color Code	840 [CCT of 4000K]
Beam Angle (Nom)	120 °
Luminous Flux (Nom)	700 lm
Color Designation	Cool White (CW)
Correlated Color Temperature (Nom)	4000 K
Luminous Efficacy (rated) (Nom)	107.00 lm/W
Color Consistency	<6
Color Rendering Index (Nom)	83
LLMF At End Of Nominal Lifetime (Nom)	70 %
Operating and electrical	
Input Frequency	50 to 60 Hz
Power (Nom)	6.5 W
Lamp Current (Max)	35 mA
Lamp Current (Min)	25 mA
Starting Time (Nom)	0.5 s

Warm Up Time to 60% Light (Nom)	0.5 s
Power Factor (Nom)	0.9
Voltage (Nom)	220-240 V
Temperature	
T-Ambient (Max)	35 °C
T-Ambient (Min)	-20 °C
T-Storage (Max)	65 °C
T-Storage (Min)	-40 °C
T-Case Maximum (Nom)	65 °C
Controls and dimming	
Dimmable	No
Mechanical and housing	
Product Length	100 mm
Bulb Shape	Tube, single-ended
Approval and application	
Energy Saving Product	Yes
Approval Marks	TUV CE marking
Energy Consumption kWh/1000 h	9 kWh

CorePro LED PLC 2P

Product data

Full product code	871869667005700
Order product name	LED PLC 6.5W 840 2P G24d-2
EAN/UPC - Product	8718696670057
Order code	929001201508
Numerator - Quantity Per Pack	1

Numerator - Packs per outer box	10
Material Nr. (12NC)	929001201508
Net Weight (Piece)	0.077 kg

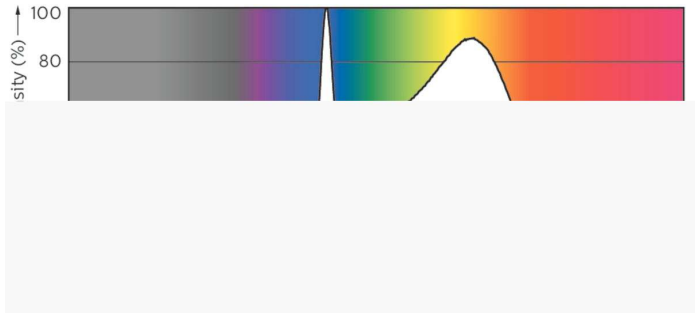
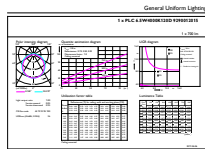
Dimensional drawing



Product	D1	D2	A1	A2	A3
LED PLC 6.5W 840 2P G24d-2	24.3 mm	28.4 mm	105.8 mm	125 mm	147.6 mm

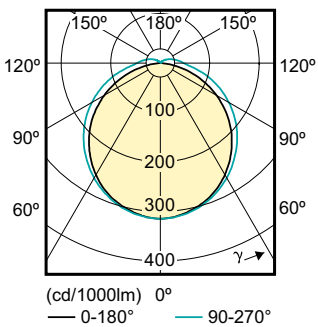
LED PLC 6.5W 840 2P G24d-2

Photometric data



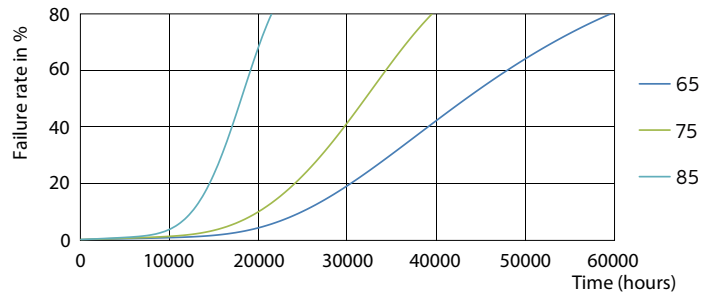
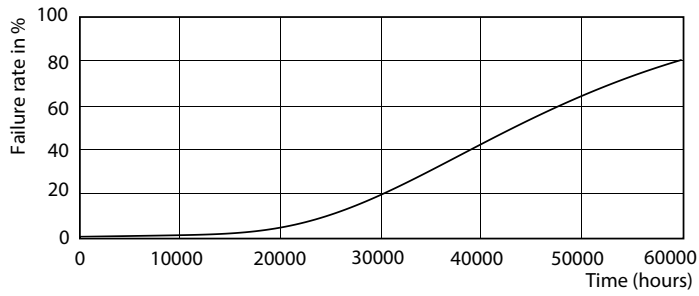
LEDtube PLC 100mm 7W G24D-2 840 700lm

LEDtube PLC 100mm 9W G24Q-3 840 1000lm



CorePro LED PLC 2P

Lifetime



LEDtube PLC 100mm 7W G24D-2 830 650lm

LEDtube PLC 100mm 7W G24D-2 830 650lm



LEDtube PLC 100mm 7W G24D-2 830 650lm

LEDtube PLC 100mm 7W G24D-2 830 650lm



LEDtube PLC 100mm 7W G24D-2 830 650lm

CorePro LED PLC 2P

