



# A-Shape LED

## 5.5A19/LED/827/ND 120V 2PK 4/2

Philips A-shape LED lamps are the LED alternative to standard incandescents. It provides beautiful light and dependable performance you expect from LED at an affordable price.

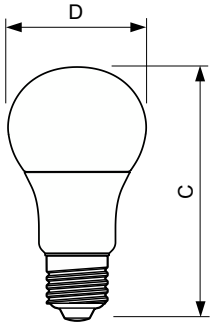
### Product data

General information	
Base	E26 [ Single Contact Medium Screw]
EU RoHS compliant	Yes
Nominal Lifetime (Nom)	10950 h
Switching Cycle	50000X
Technical Type	5.5-40W
Light technical	
Color Code	827 [ CCT of 2700K]
Initial lumen (Nom)	450 lm
Color Designation	Warm White (WW)
Correlated Color Temperature (Nom)	2700 K
Luminous Efficacy (rated) (Nom)	82 lm/W
Color Consistency	ANSI
Color Rendering Index (Nom)	80
LLMF At End Of Nominal Lifetime (Nom)	70 %
Operating and electrical	
Input Frequency	60 Hz
Power (Rated) (Nom)	5.5 W
Lamp Current (Nom)	90 mA
Starting Time (Nom)	0.5 s
Warm Up Time to 60% Light (Nom)	0.5 s
Power Factor (Nom)	0.5

Voltage (Nom)	120 V
Temperature	
T-Case Maximum (Nom)	212 °F
Controls and dimming	
Dimmable	No
Mechanical and housing	
Bulb Finish	Frosted
Bulb Shape	A19 (A19)
Approval and application	
Suitable For Accent Lighting	No
Energy Consumption kWh/1000 h	- kWh
Product data	
Order product name	5.5A19/LED/827/ND 120V 2PK/4
EAN/UPC - Product	50046677462173
Order code	462176
Numerator - Quantity Per Pack	1
Numerator - Packs per outer box	4
Material Nr. (12NC)	929001203634
Copy Net Weight (Piece)	0.115 lb

# A-Shape LED

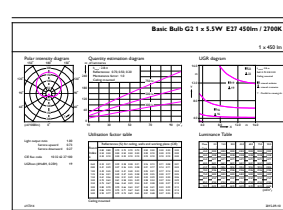
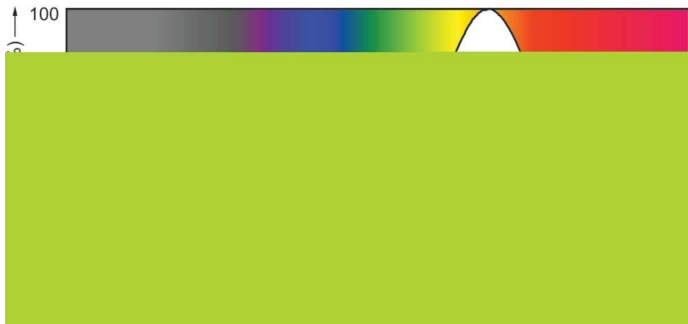
## Dimensional drawing



5.5A19/LED/827/ND 120V 2PK/4

Product	D	C
5.5A19/LED/827/ND 120V 2PK/4	2-7/16 in	4-1/4 in

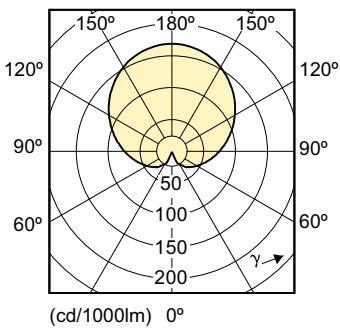
## Photometric data



Philips Luminaire 4.5 Philips Lighting B.V. Page 1/1

LEDbulb, Bulb A19 9.5W, 14.5W 2700K

LEDlamps, A19 5.5W-40W 2700K 450lm



LEDlamps, A19 5.5W-40W 2700K 450lm

